

Model ANT 024

DIPOLE ANTENNA

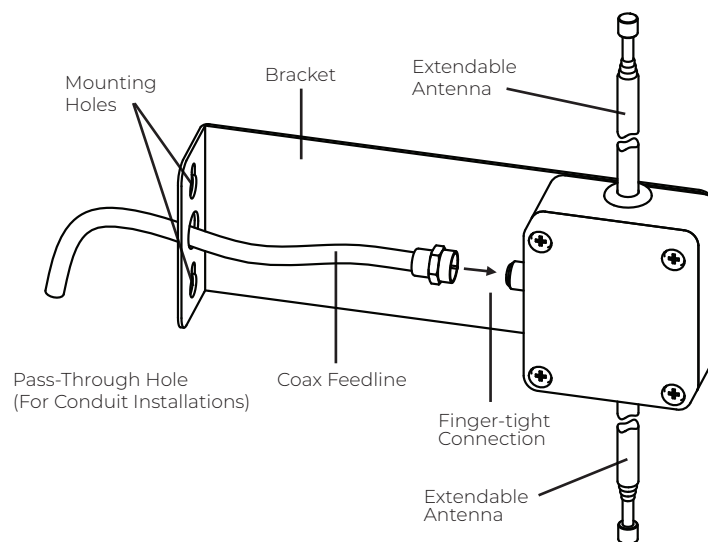
INSTALLATION INSTRUCTIONS

The ANT 024 is a 75 Ω , shortened dipole, designed for operation at 72-76 MHz. It is intended for use with Williams AV receivers and the T55, T55C, T45, or T27 transmitter.

Note: The FCC requires this antenna to be professionally installed.

Bracket-Antenna Installation Procedure:

1. Select a mounting location for the Antenna Bracket.
It is best to locate the antenna high on a wall, within line-of-sight of the area where the receivers will be used. Antenna elements should be positioned vertically for proper polarity and best coverage. Radio signals will generally pass through non-metal structures. The antenna can be mounted on a wall, in a corner, or behind a wooden beam.
Do not mount the antenna behind steel beams or other metal structures. If possible, avoid placing the antenna within four feet of steel beams or near structural steel elements. Metal studs, duct work, and foil-backed insulation can absorb radio energy, greatly reducing the range of the system.
2. Use the antenna bracket as a template to mark the position of the mounting holes.
3. Attach the antenna bracket to the mounting surface. Use appropriate wall anchors (not included) if necessary. If you need to run the feedline through a wall, a 1/2" hole is necessary to pass the connector through.



Coax Feedline Cable Installation Procedure:

The Antenna Coax Feedline is a 20' length of RG59 Coaxial Cable. The feedline connects to the Antenna Connector on the assembly.

1. Attach the Coax Feedline to the connector facing the wall. Use fingers only to tighten. Arrange the Coax Feedline so that it exits the antenna at a right angle.
2. If this is not a conduit installation, use at least one of the nylon cable clamps to support the weight of the cable.
3. Attach the second cable clamp about 12" away from the first one, maintaining a right angle between the feedline and the Antenna.
4. Attach the other end of the Coax Feedline to the Antenna Connector on the back of the transmitter. Use fingers only to tighten.
5. Extend antenna elements out to their full length for maximum range.

Note: Antenna may be used in collapsed state, but range will be reduced.

DO NOT bend the cable sharply at any point.

Allow at least a 3" radius for turns. Up to 100' of 75 Ω feedline can be added without excessive line loss. Be sure to use the proper F connectors when adding on to the feedline. The feedline can also be shortened and a new F connector installed, if necessary. Do not coil up excess cable.

The feedline is categorized as Class II wiring. Thus, it may be (but is not required to be) routed through metal conduit, but NOT with microphone cables or AC power wiring.


Recycling Instructions



Help Williams AV protect the environment! Please take the time to dispose of your equipment properly.



Product Recycling for Customers in the European Union:

Please do NOT dispose of your equipment in the household trash. Please take the equipment to a  electronics recycling center.