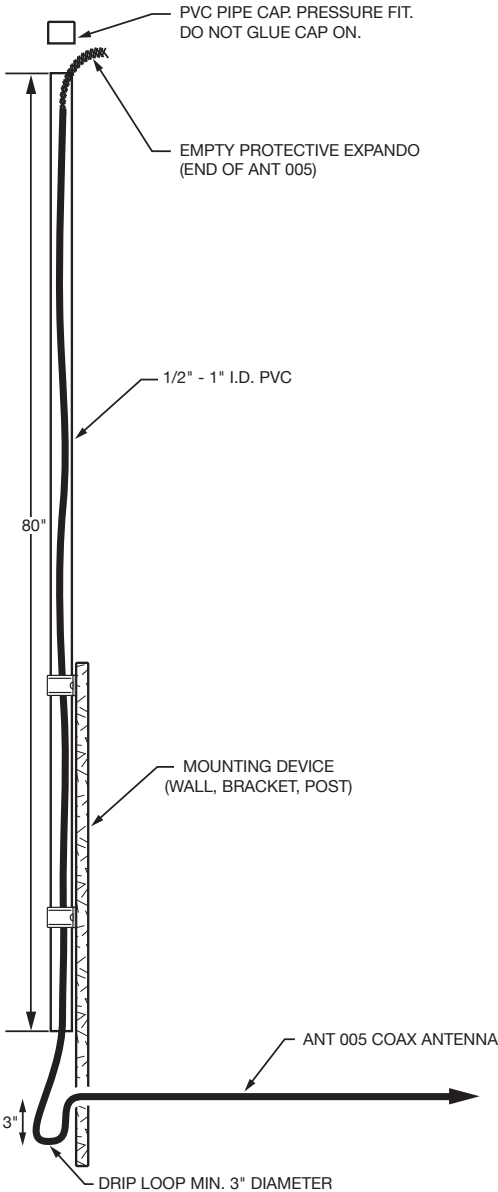


ANT 005 Technical Bulletin

Outdoor Antenna Mounting

TECHNICAL BULLETIN



Outdoor Mounting Instructions

When the ANT 005 coax cable is mounted outdoors, the following steps need to be taken to avoid damage to system electrical equipment.

1. Insert Coax cable INSIDE the PVC tube.
2. The last 8 – 10" is empty netting called "Expando". All remaining "Expando" should hang outside the PVC tube as shown in the diagram.
3. Place cap on the top of the PVC tube with the "Expando" on the outside of the tube. This will secure the coax cable and suspend it inside the tube.
4. The coax cable outside of the PVC tube should have a "Drip Loop" that is 3" in diameter (minimum) and 1" below (minimum) entrance point through wall.
5. If the antenna is the highest point of the facility, there should be an "Arrestor" installed at the bottom of the Drip Loop.



A297