

# T2863, R2863

## 863 MHz Portable FM Communication - Europe

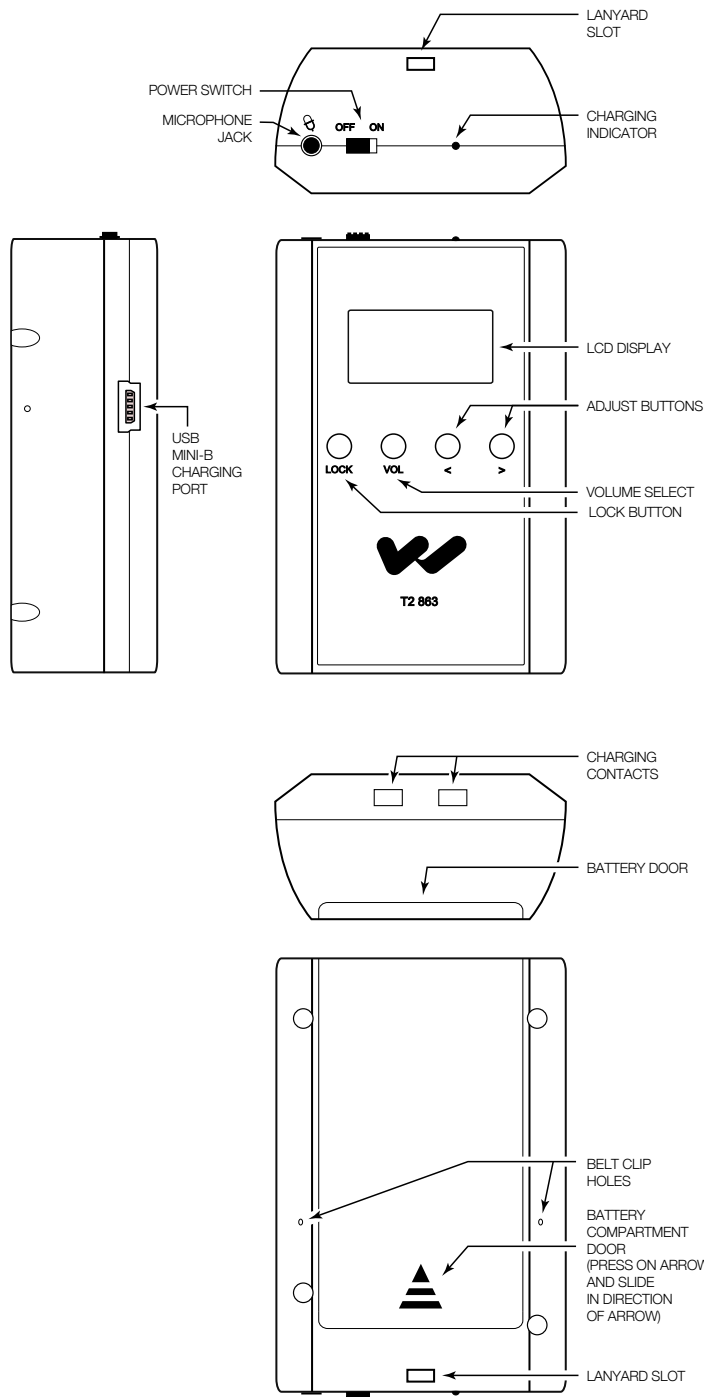


The T2 863 FM transmitter and R2 863 FM receiver are compact, simple to use and now offer an expanded range of up to 150m (500 feet). Each has an easy-to-read LCD display, with quick status views and immediate access to 16 user-selectable, pre-set frequencies. Optimized for use in Europe, this tandem offers the exceptional audio quality you've come to expect from Williams Sound.

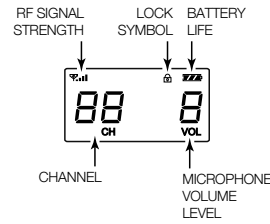
The T2 863 and R2 863 can be used with Alkaline AA batteries, or rechargeable NiMH AA batteries (requires a USB A to Mini-B cable). The new technology accommodates a variety of microphone/headphone/neckloop options, and is ideal for use in assistive listening, tour guide and simultaneous interpretation scenarios.

# 863 MHz Portable FM Communication - Europe

## T2863 Transmitter:



T2 863 transmitters are fully compliant with ETSI EN 301 357 V2.1.1 (2017-06) limits for intentional radiators.



## System Specifications

### T2863 Transmitter

**Battery Type:** Two AA 1.5 V non-rechargeable Alkaline batteries (BAT 001-2), or Two AA 1.5 V rechargeable NiMH batteries (BAT 026-2).

**Battery Life:** Alkaline: 12 hours NiMH: 11 hours

**Operating Frequencies:** Selectable, 16 channels, 863 – 865 MHz. Non-interfering group channels (may be used simultaneously): Ch 1, 4, 8, 11, 16

**Max. Carrier Power:** 7.88dBm

**Output Power:** 10 dBm

**Distance:** Up to 150 m (500 ft) Line of Sight

**External Controls:** Top: Power On/Off slide switch. Front: Momentary push buttons.

**Audio Input:** 3.5 mm, microphone/audio

**Dimensions:** 75 mm x 50 mm x 25 mm

**Weight:** 45 g (without batteries)

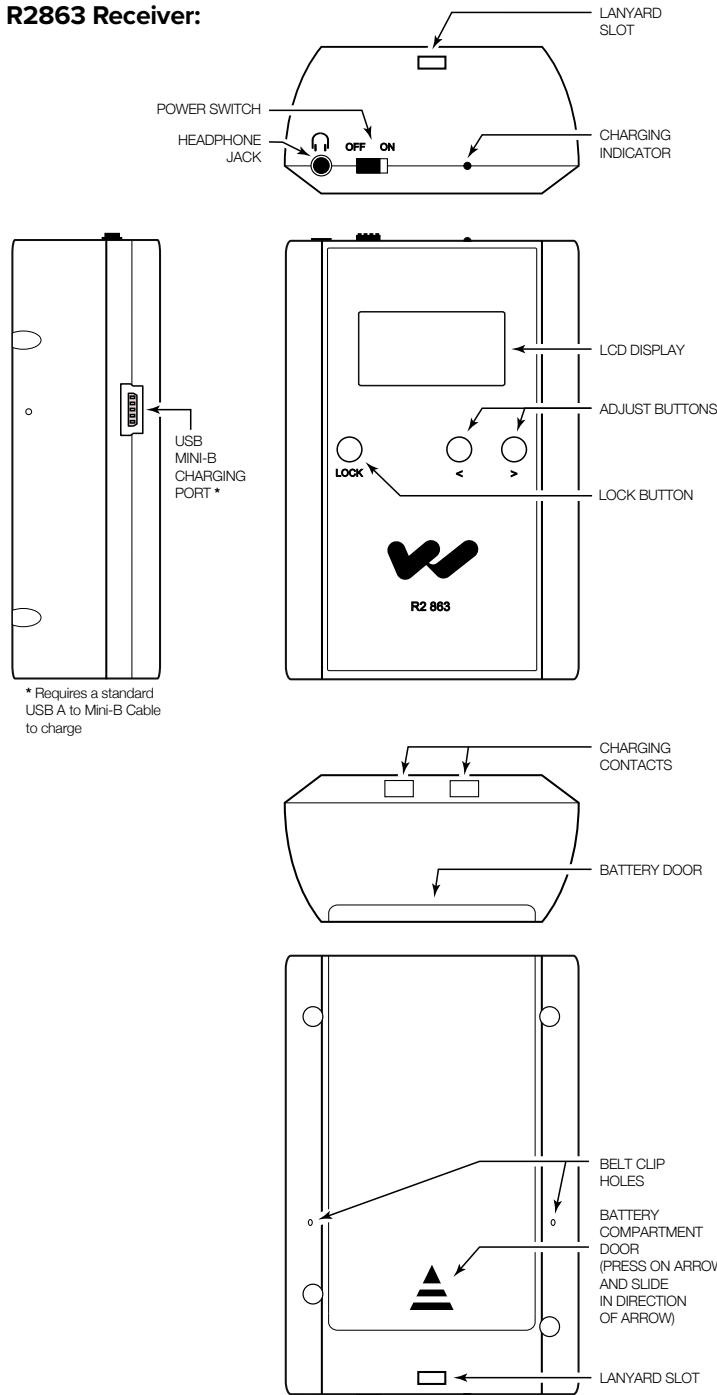
**Approvals:** CE, RoHS3 and WEEE

**Warranty:** 2 years

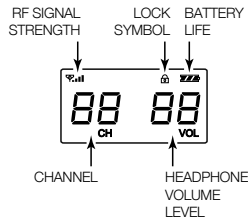
**NOTE: SPECIFICATIONS SUBJECT TO CHANGE WITHOUT NOTICE!**

# 863 MHz Portable FM Communication - Europe

## R2863 Receiver:



\* Requires a standard USB A to Mini-B Cable to charge



## System Specifications

### R2863 Receiver

**Battery Type:** Two AA 1.5 V non-rechargeable Alkaline batteries (BAT 001-2), or Two AA 1.5 V rechargeable NiMH batteries (BAT 026-2).

**Battery Life:** Alkaline: 30 hours NiMH: 20 hours

**Operating Frequencies:** Selectable, 16 channels, 863 – 865 MHz. Non-interfering group channels (may be used simultaneously): Ch 1, 4, 8, 11, 16

**Sensitivity:** -110 dBm

**Distance:** Up to 150 m (500 ft) Line of Sight

**External Controls:** Top: Power On/Off slide switch. Front: Momentary push buttons.

**Audio Output:** 3.5 mm stereo/mono headphone jack

**Freq Resp:** 20 Hz -16 kHz

**Dimensions:** 75 mm x 50 mm x 25 mm

**Weight:** 45 g (without batteries)

**Approvals:** CE, RoHS3 and WEEE

**Warranty:** 2 years

**NOTE: SPECIFICATIONS SUBJECT TO CHANGE WITHOUT NOTICE!**

### Domestic Sales

Williams AV  
10300 Valley View Rd  
Eden Prairie, MN 55344  
Ph: 800-328-6190 / 952-943-2252  
FAX: 952-943-2174  
Email: info@williamsav.com  
Web: www.williamsav.com

### International Sales

International Sales Department  
Williams AV  
10300 Valley View Rd  
Eden Prairie, MN 55344 USA  
Phone: +1 952 943 2252  
Fax: +1 952 943 2174  
Email: info@williamsav.com  
Web: www.williamsav.com

# WILLIAMS AV

info@williamsav.com / www.williamsav.com  
800-843-3544 / INTL: +1-952-943-2252