

T2863, R2863

863 MHz Portable FM Communication - Europe

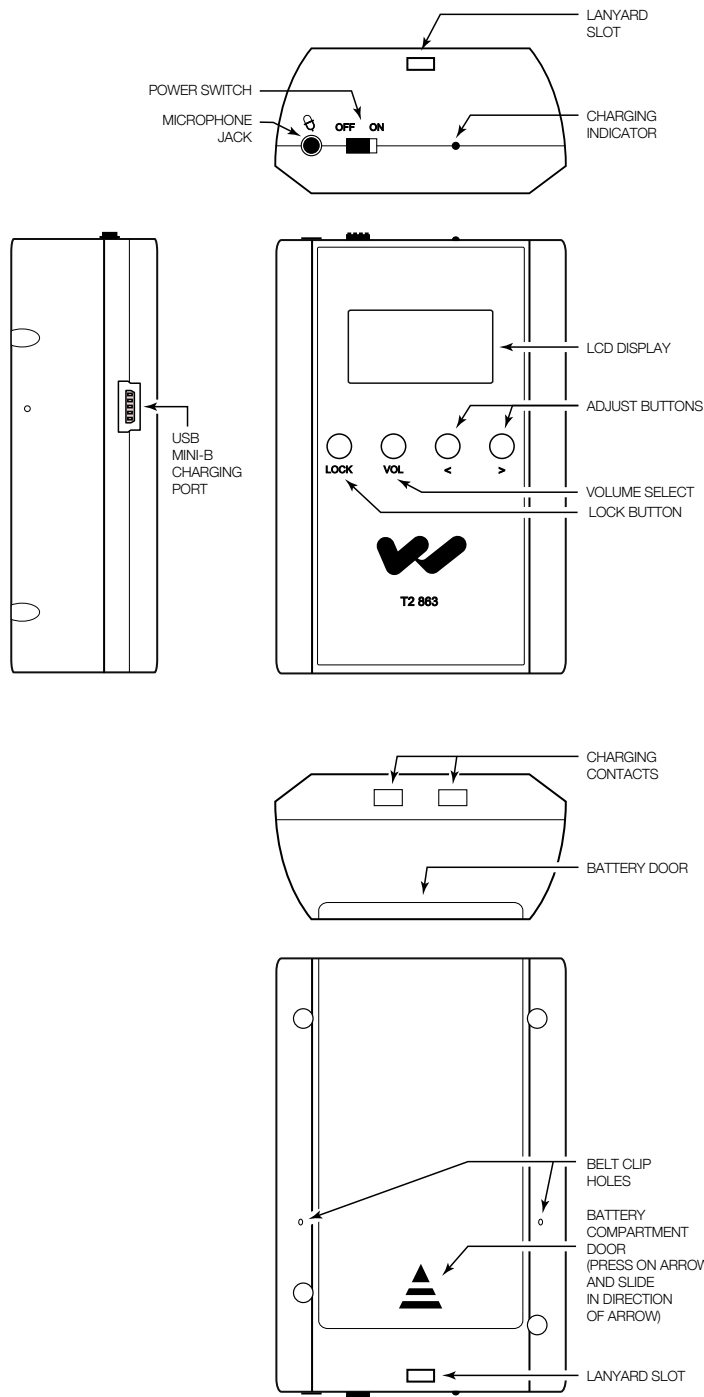


The T2 863 FM transmitter and R2 863 FM receiver are compact, simple to use and now offer an expanded range of up to 150m (500 feet). Each has an easy-to-read LCD display, with quick status views and immediate access to 16 user-selectable, pre-set frequencies. Optimized for use in Europe, this tandem offers the exceptional audio quality you've come to expect from Williams AV.

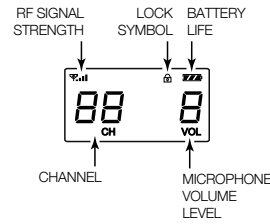
The T2 863 and R2 863 can be used with Alkaline AA batteries, or rechargeable NiMH AA batteries (requires a USB A to Mini-B cable). The new technology accommodates a variety of microphone/headphone/neckloop options, and is ideal for use in assistive listening, tour guide and simultaneous interpretation scenarios.

863 MHz Portable FM Communication - Europe

T2863 Transmitter:



T2 863 transmitters are fully compliant with ETSI EN 301 357 V2.1.1 (2017-06) limits for intentional radiators.



System Specifications

T2863 Transmitter

Battery Type: Two AA 1.5 V non-rechargeable Alkaline batteries (BAT 001-2), or Two AA 1.5 V rechargeable NiMH batteries (BAT 026-2).

Battery Life: Alkaline: 12 hours NiMH: 11 hours

Operating Frequencies: Selectable, 16 channels, 863 – 865 MHz. Non-interfering group channels (may be used simultaneously): Ch 1, 4, 8, 11, 16

Max. Carrier Power: 7.88dBm

Output Power: 10 dBm

Distance: Up to 150 m (500 ft) Line of Sight

External Controls: Top: Power On/Off slide switch. Front: Momentary push buttons.

Audio Input: 3.5 mm, microphone/audio

Dimensions: 75 mm x 50 mm x 25 mm

Weight: 45 g (without batteries)

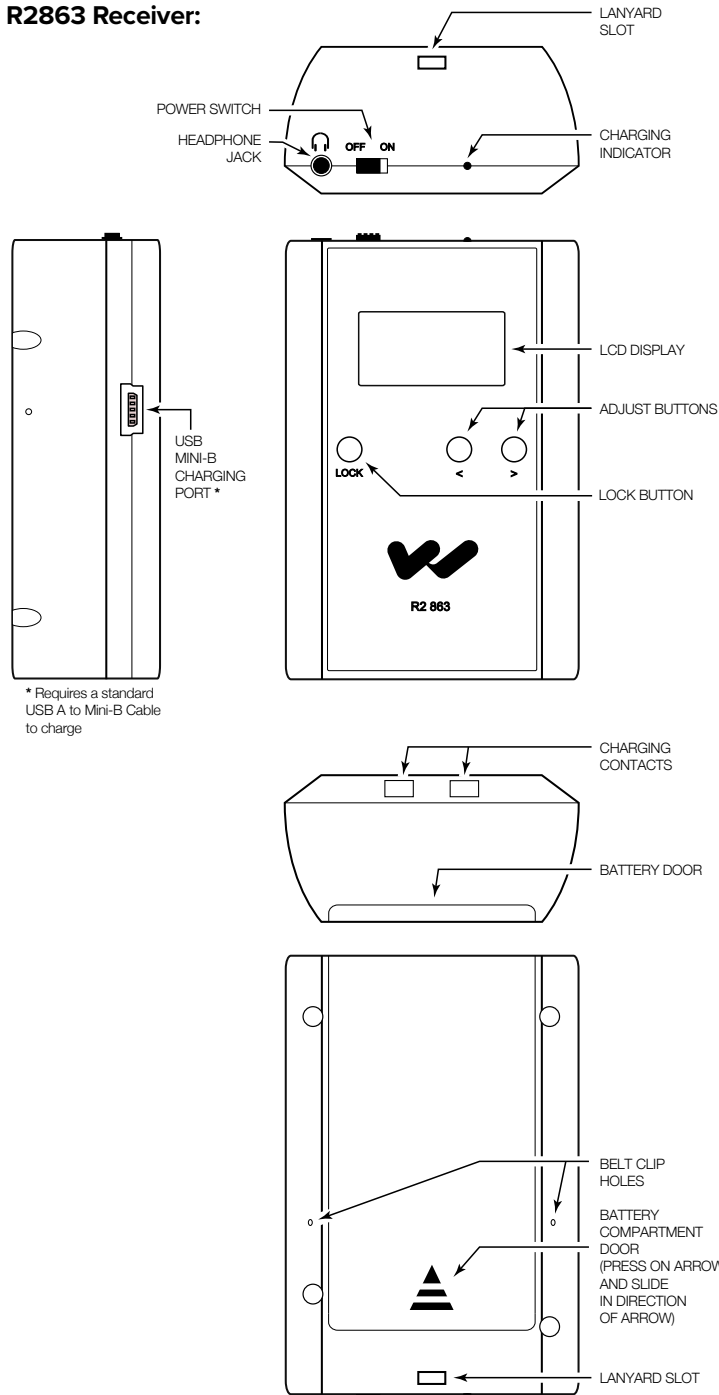
Approvals: CE, RoHS3 and WEEE

Warranty: 2 years

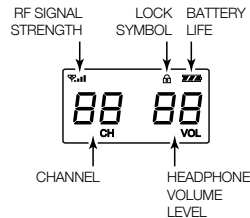
NOTE: SPECIFICATIONS SUBJECT TO CHANGE WITHOUT NOTICE!

863 MHz Portable FM Communication - Europe

R2863 Receiver:



* Requires a standard USB A to Mini-B Cable to charge



System Specifications

R2863 Receiver

Battery Type: Two AA 1.5 V non-rechargeable Alkaline batteries (BAT 001-2), or Two AA 1.5 V rechargeable NiMH batteries (BAT 026-2).

Battery Life: Alkaline: 30 hours NiMH: 20 hours

Operating Frequencies: Selectable, 16 channels, 863 – 865 MHz. Non-interfering group channels (may be used simultaneously): Ch 1, 4, 8, 11, 16

Sensitivity: -110 dBm

Distance: Up to 150 m (500 ft) Line of Sight

External Controls: Top: Power On/Off slide switch. Front: Momentary push buttons.

Audio Output: 3.5 mm stereo/mono headphone jack

Freq Resp: 20 Hz -16 kHz

Dimensions: 75 mm x 50 mm x 25 mm

Weight: 45 g (without batteries)

Approvals: CE, RoHS3 and WEEE

Warranty: 2 years

NOTE: SPECIFICATIONS SUBJECT TO CHANGE WITHOUT NOTICE!

Domestic Sales

Williams AV
10300 Valley View Rd
Eden Prairie, MN 55344
Ph: 800-328-6190 / 952-943-2252
FAX: 952-943-2174
Email: info@williamsav.com
Web: www.williamsav.com

International Sales

International Sales Department
Williams AV
10300 Valley View Rd
Eden Prairie, MN 55344 USA
Phone: +1 952 943 2252
Fax: +1 952 943 2174
Email: info@williamsav.com
Web: www.williamsav.com

WILLIAMS AV

info@williamsav.com / www.williamsav.com
800-843-3544 / INTL: +1-952-943-2252