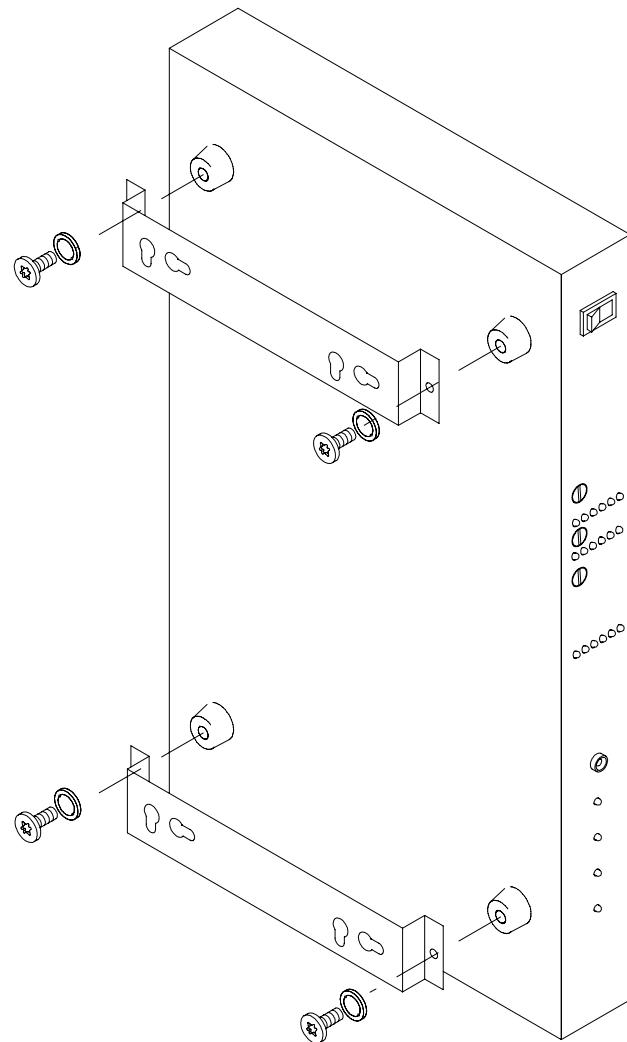
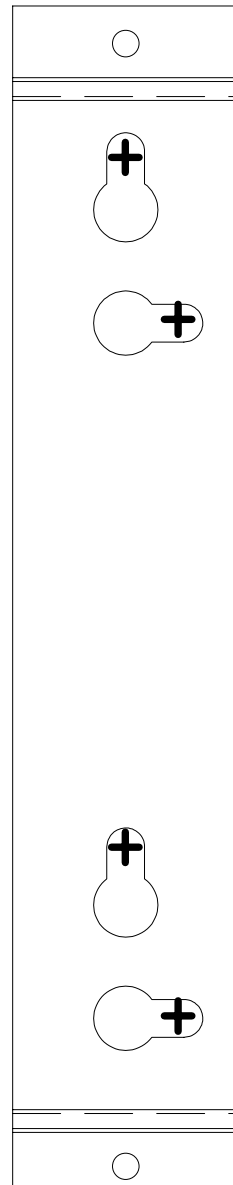


Power switch on this corner



INSTRUCTIONS FOR FIXING TO THE WALL

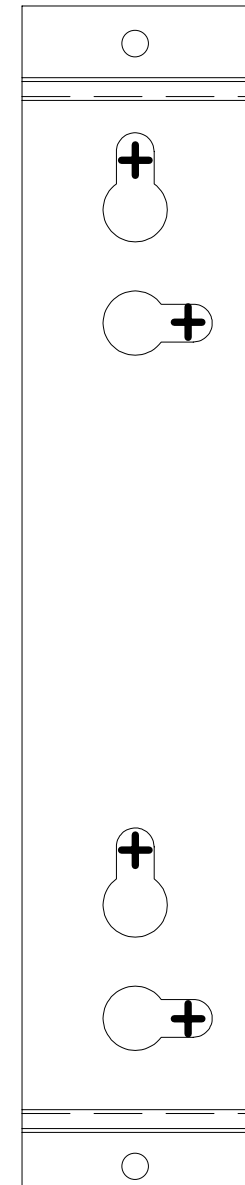
DRILLING TEMPLATE

USE NO.8 ROUND HEAD SCREWS

UNIT MAY BE MOUNTED VERTICALLY  
OR HORIZONTALLY

IMPORTANT

USE 4 WALL FASTENERS, EACH CAPABLE OF SUPPORTING  
3.75kg / 8lb 4oz, TO PROVIDE A SAFETY FACTOR OF 4.  
USE APPROPRIATE FIXINGS, PLUGS OR ANCHORS, FOR THE  
TYPE OF WALL THE UNIT IS TO BE MOUNTED ON.



INSTRUCTIONS FOR FITTING THE WALL MOUNT BRACKETS

REMOVE ALL RUBBER FEET  
ORIENTATE BRACKETS AS SHOWN  
FIT BRACKETS TO UNIT USING SCREWS AND WASHERS SUPPLIED (4 off M3 x 6 Pan TORX)  
DO NOT USE SCREWS USED TO FIT THE RUBBER FEET  
TORX T10 DRIVER IS REQUIRED

UP47601-1