

WM-D - Wall Mount Brackets for D-Series

← Power switch on this corner

FRONT PANEL

INSTRUCTIONS FOR FIXING TO THE WALL

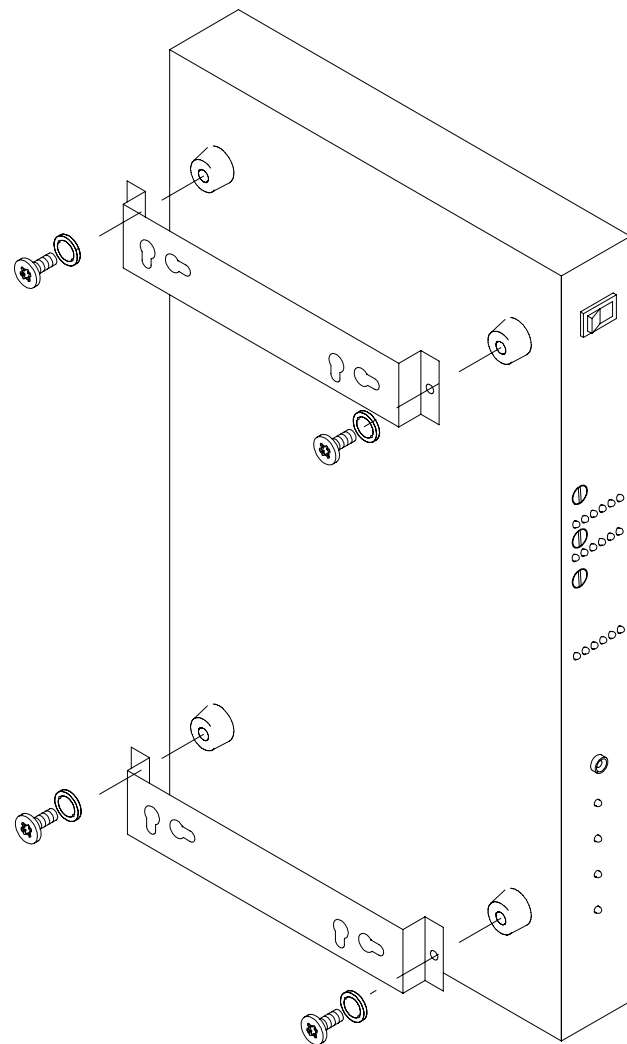
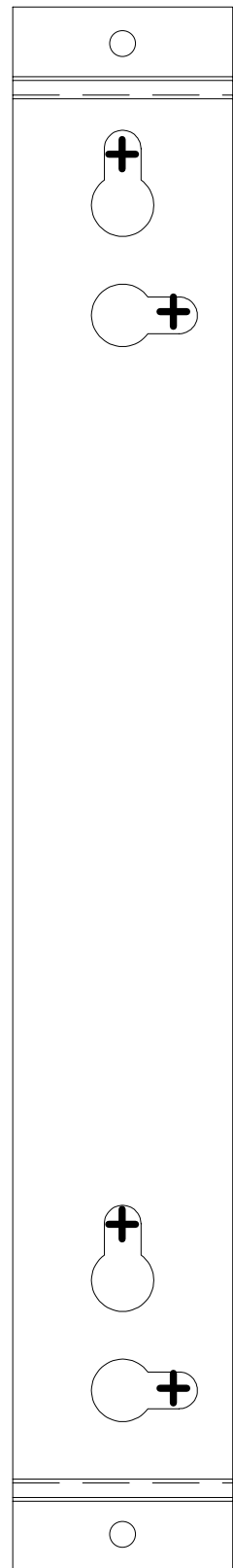
DRILLING TEMPLATE

USE NO.8 ROUND HEAD SCREWS

UNIT MAY BE MOUNTED VERTICALLY
OR HORIZONTALLY

IMPORTANT

USE 4 WALL FASTENERS, EACH CAPABLE OF SUPPORTING
3.9kg / 8lb 10oz, TO PROVIDE A SAFETY FACTOR OF 4.
USE APPROPRIATE FIXINGS, PLUGS OR ANCHORS, FOR THE
TYPE OF WALL THE UNIT IS TO BE MOUNTED ON.



INSTRUCTIONS FOR FITTING THE WALL MOUNT BRACKETS

REMOVE ALL RUBBER FEET
ORIENTATE BRACKETS AS SHOWN
FIT BRACKETS TO UNIT USING SCREWS AND WASHERS PROVIDED (4 off M3 x 6 Pan)

