

Digi-Wave Connect

DWD 401

WILLIAMS AV

USER GUIDE

Digi-Wave Connect is an analog audio cable converter box that sends audio to and from an existing Digi-Wave 400 system. By connecting your Digi-Wave Connect to your local audio system, you can transmit sound from your audio equipment to your Digi-Wave group, or output the audio from your Digi-Wave group to your local sound system.

The USB cable connects the audio in, audio out from the Digi-Wave DLT Transceiver and provides it to the Digi-Wave Connect.

Powering On and Charging

Connect the power cable to the power port on the Digi-Wave connect.

Once USB cable is connected to the DLT Transceiver from the Digi-Wave Connect, the LED on the top of the DLT transceiver will light up. The device will charge and stay charged while connected.

Connecting a DLT

A USB 3.1 type C cable is included with the Digi-Wave Connect and is used to connect a DLT transceiver to the Digi-Wave Connect.

NOTE: A Standard USB 2 type C will not work. Make sure you are using the cable included with the system or another USB 3.1 type C cable.

Insert one end of the USB 3.1 type C cable into the bottom of the Digi-Wave DLT transceiver, and insert the other end into the DLT port on the Digi-Wave Connect.

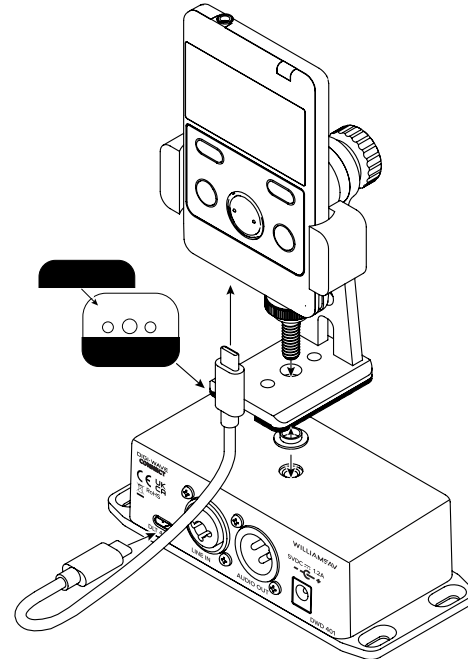
No special settings for the DLT transceiver are required for the Digi-Wave connect to work, although settings such as line in/out gain can be adjusted as desired.

The DLT transceiver will constantly transmit sound once connected to the Digi-Wave Connect, even without the use of the TALK button. To stop the transmission of audio, disconnect the DLT transceiver from the Digi-Wave Connect.

Connecting a DLR

A DLR receiver will not provide the same functionality as connecting a DLT transceiver. A DLR receiver does not have a talk feature and cannot transmit sound to the Digi-Wave group.

The DLR receiver can be used only for sending sound from a Digi-Wave group to a local sound system. If sound does not need to be sent to other Digi-Wave devices, this setup may be suitable.



Connecting the Bracket to the Digi-Wave Connect

Attaching the Bracket

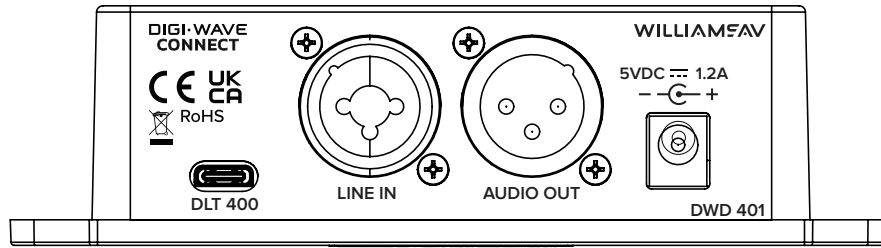
A bracket (BKT 040) is included with the DWD 401. This bracket can be used to mount the Digi-Wave device to the top of the Digi-Wave Connect.

To prevent scratching, remove the lining from the two pieces of cork and attach the each piece of cork to the long edges on bottom of the bracket.

Place the provided shoulder washer into the bottom of the center hole on the base of the bracket. Insert the provided large screw with the round black head from the top of the base of the bracket through the center hole at the bottom of the bracket and into the shoulder washer.

There is another hole in the top of the Digi-Wave Connect that the bracket can be screwed into. Twist the large black screw into this hole until the bracket is secured to the top of the Digi-Wave Connect.

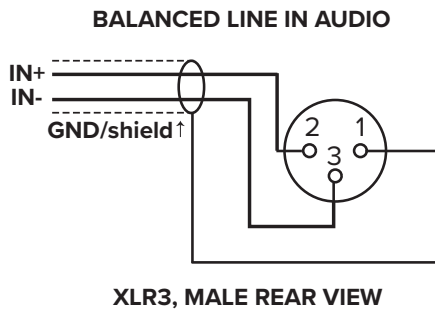
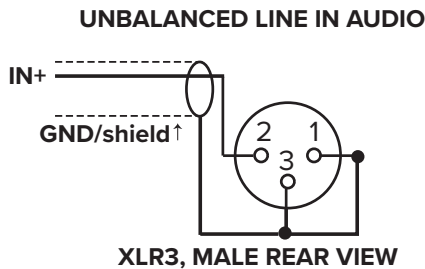
Place your Digi-Wave device in the upper part of the bracket. Ensure that the USB 3.1 type cable is properly connected.



Digi-Wave Connect Ports and Connections

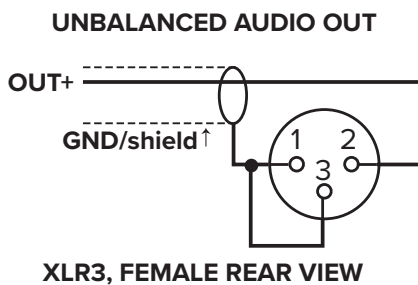
Connecting Audio Devices

Audio devices can be connected through the Line In XLR on the device. The Line In audio can be balanced or unbalanced.



Connecting Audio Output

Audio output is connected via the Audio Out XLR on the device.



Playing Audio

Once the audio device and a DLT transceiver is connected, to the Digi-Wave Connect, your audio from the DLT transceiver is ready to be transmit sound.

Add the DLT transceiver hard-wired to the Digi-Wave Connect to an active Digi-Wave group like you would a normal individual user. For more information on creating groups or channels, please see the full Digi-Wave manual.

The hard-wired DLT transceiver will transmit the audio for that group or channel over the Audio Out of the Digi-Wave Connect. It will also broadcast any audio from the Audio In source over the Digi-Wave channel or group.

For Additional Information

The Digi-Wave Connect is a supplement to a Digi-Wave system. For more information on setting up and configuring a Digi-Wave system, please see the full user manual on the Williams AV website.