

TGS 2863 / RCH

863 MHz FM Tour Guide Systems - Europe



TGS 2863



TGS 2863 RCH

One-way, wireless FM tour guide systems optimized for use in Europe. The TGS 2863-10 is for tour groups of up to 10 members (also available in a rechargeable version TGS 2863-10 RCH). The TGS 2863-22 is for tour groups of up to 22. Each system enhances communication between tour guide and group, helping to overcome background noise and distance from the tour guide. Ideal for use in factories, museums, tourist attractions, or bus tours. Group members have listen-only capabilities.

Each tour guide system includes one T2 863 FM transmitter and multiple R2 863 FM receivers -- compact, simple-to-use technology that offers an expanded range of up to 500 feet. Each transmitter and receiver has an easy-to-read LCD display, with quick status views and immediate access to 16 user-selectable, pre-set frequencies. And they accommodate a variety of microphone/headphone/neckloop options.

NOTE: The 863 MHz system cannot be used in all countries. Check your government radio regulations for 863 MHz operation.

863 MHz FM Tour Guide Systems - Europe

T2863 Transmitter Specifications:

Battery Type: Two AA 1.5 V non-rechargeable Alkaline batteries (BAT 001-2), or Two AA 1.5 V rechargeable NiMH batteries (BAT 026-2), charge with a USB A to Mini-B cable.

Battery Life: Alkaline (BAT-001-2): 12 hrs
NiMH (BAT 026-2): 11 hrs

Operating Frequencies: Selectable, 16 channels, 863 – 865 MHz:

Ch. 1 863.075	Ch. 9 864.075
Ch. 2 863.200	Ch. 10 864.200
Ch. 3 863.325	Ch. 11 864.325
Ch. 4 863.450	Ch. 12 864.450
Ch. 5 863.575	Ch. 13 864.575
Ch. 6 863.700	Ch. 14 864.700
Ch. 7 863.825	Ch. 15 864.825
Ch. 8 863.950	Ch. 16 865.000

Non-interfering group channels: 1, 4, 8, 11, 16. Can be used simultaneously for up to 5 groups.

Output Power: 10 dBm

Distance: Up to 150 m (500 ft) Line of Sight

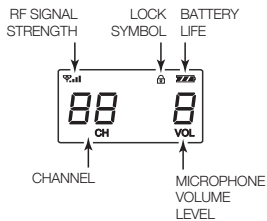
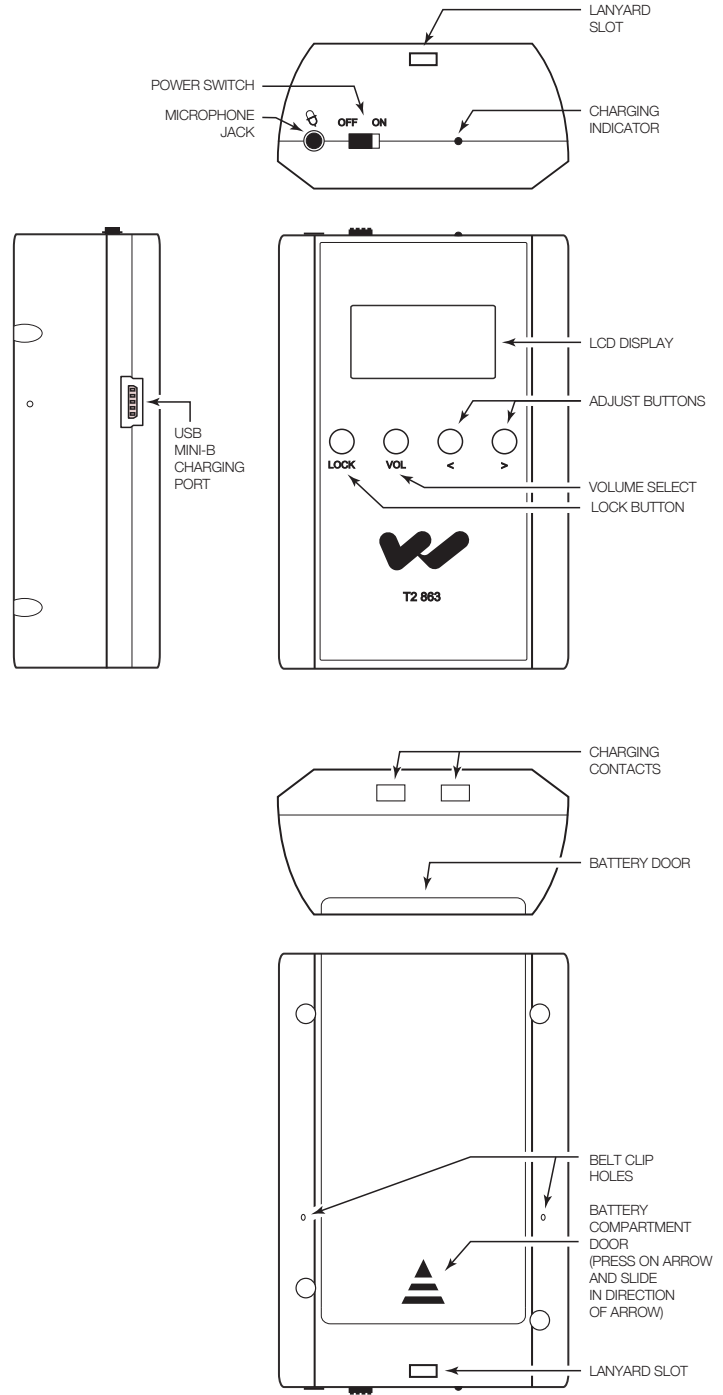
External Controls: *Top:* Power On/Off slide switch.
Front: Momentary push buttons.

Audio Input: 3.5 mm, microphone/audio

Dimensions: 75 mm x 50 mm x 25 mm

Weight: 45 g (without batteries)

Warranty: 2 years



NOTE: SPECIFICATIONS SUBJECT TO CHANGE WITHOUT NOTICE!

863 MHz FM Tour Guide Systems - Europe

R2863 Receiver Specifications

Battery Type: Two AA 1.5 V non-rechargeable Alkaline batteries (BAT 001-2), or Two AA 1.5 V rechargeable NiMH batteries (BAT 026-2), charge with a USB A to Mini-B cable.

Battery Life: Alkaline (BAT-001-2): 30 hrs
NiMH (BAT 026-2): 20 hrs

Operating Frequencies: Selectable, 16 channels, 863 – 865 MHz:

Ch. 1 863.075	Ch. 9 864.075
Ch. 2 863.200	Ch. 10 864.200
Ch. 3 863.325	Ch. 11 864.325
Ch. 4 863.450	Ch. 12 864.450
Ch. 5 863.575	Ch. 13 864.575
Ch. 6 863.700	Ch. 14 864.700
Ch. 7 863.825	Ch. 15 864.825
Ch. 8 863.950	Ch. 16 865.000

Non-interfering group channels: 1, 4, 8, 11, 16. Can be used simultaneously for up to 5 groups.

Sensitivity: -110 dBm

Distance: Up to 150 m (500 ft) Line of Sight

External Controls: *Top:* Power On/Off slide switch.
Front: Momentary push buttons.

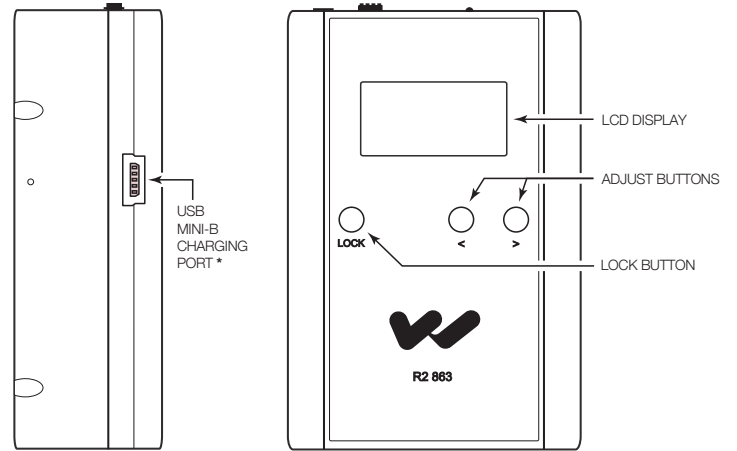
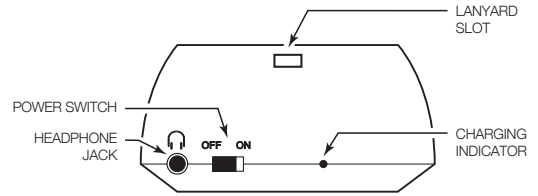
Audio Output: 3.5 mm stereo/mono headphone jack

Frequency Response: 20 Hz -16 kHz

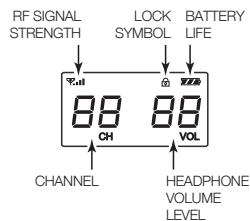
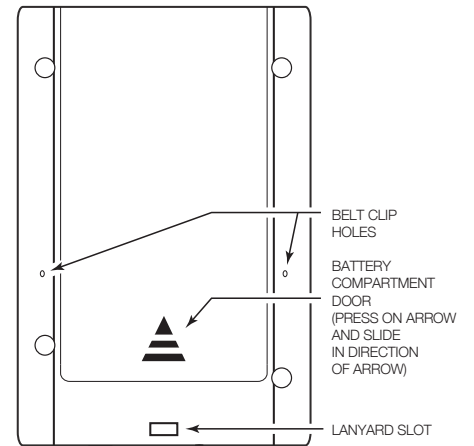
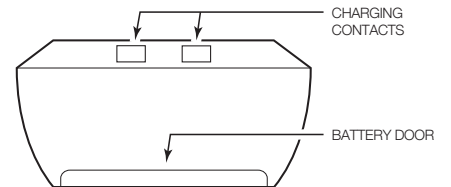
Dimensions: 75 mm x 50 mm x 25 mm

Weight: 45 g (without batteries)

Warranty: 2 years



* Requires a standard USB A to Mini-B Cable to charge

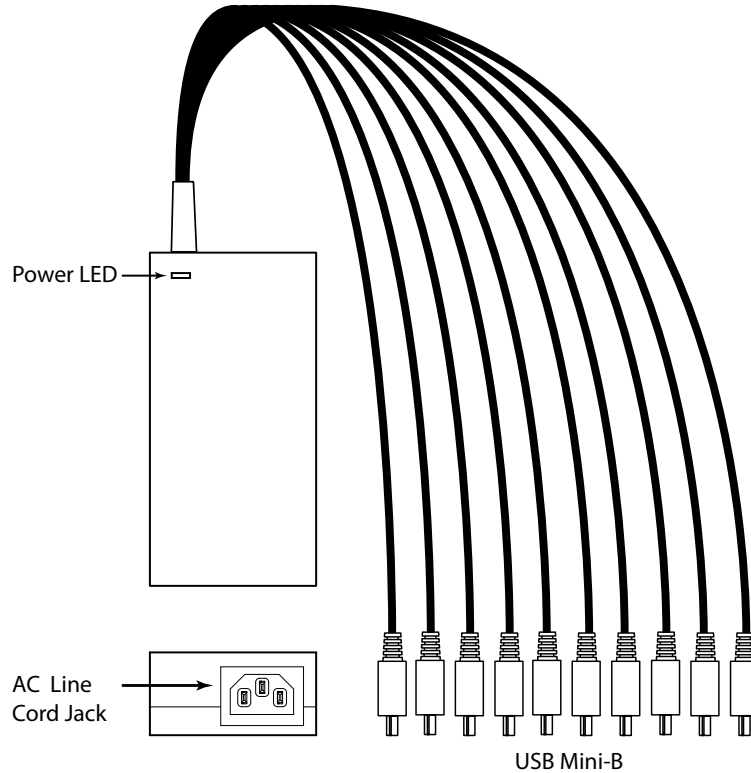


NOTE: SPECIFICATIONS SUBJECT TO CHANGE WITHOUT NOTICE!

863 MHz FM Tour Guide Systems - Europe

CHG 863 10-Unit USB Pigtail Charger Specifications: (TGS 2863 RCH system only)

This 10-unit, USB Mini-B style charger will charge up to ten Williams Sound 863MHz transmitters or receivers at the same time.



Dimensions:	Power Supply: 14 cm L x 5.7 cm W x 3.18 cm H (5-1/2"L x 2-1/4"W x 1-1/4"H) Pigtail Cable Length: Approximately 33 cm (13").
Shipping Weight:	1.1 lbs (0.5 kg)
Enclosure:	Black, ABS plastic
Power Supply:	Input: 100-240VAC, 1.8A, 50-60Hz. Output: 5VDC, 8A total. Pigtail with 10 USB, Mini-B style ends.
Capacity:	Up to 10 Units can charge simultaneously.
Charging Time:	Up to 5 hours per unit
Indicators:	Power Supply: 1 Red LED indicates incoming AC power. T2863 or R2863: Charging light on top of unit Flashes once per second (Slow) = Charging, Flashes Fast = Incorrect Battery Type, On Steady = Charged
Warranty:	2 Years
Approvals:	UL, CE, GS, FCC, IC, RoHS

Domestic Sales

Williams AV
10300 Valley View Rd
Eden Prairie, MN 55344
Ph: 800-328-6190 / 952-943-2252
FAX: 952-943-2174
Email: info@williamsav.com
Web: www.williamsav.com

International Sales

International Sales Department
Williams AV
10300 Valley View Rd
Eden Prairie, MN 55344 USA
Phone: +1 952 943 2252
Fax: +1 952 943 2174
Email: info@williamsav.com
Web: www.williamsav.com

WILLIAMS AV
info@williamsav.com / www.williamsav.com
800-843-3544 / INTL: +1-952-943-2252