



MANUAL AND USER GUIDE

SoundPlus[™] Infrared System

Model WIR 125

Transmitter Model WIR TX295
Receiver Model WIR RX3

CONTENTS	PAGE
System Overview	3
System Components	3
Safety Information	4
Recycling Instructions	5
Operating Instructions	6
WIR TX295 Transmitter	6
WIR RX3 Receiver	8
In Case of Difficulty	9
Warranty	10
System Specifications	12

SYSTEM OVERVIEW

Thank you for purchasing the WIR 125 Infrared System from Williams Sound Corp. Anyone needing auditory assistance to overcome background noise, reverberation, or distance from the sound source can benefit from the WIR 125.

You can use the WIR 125 for listening to the TV or other audio equipment, or for hearing assistance in conference rooms. You can also use your RX3 Receiver in most facilities which have an infrared transmitter operating on 95 kHz, such as theaters, cinemas, or churches.

NOTE: The WIR 125 Infrared System is not recommended for use with a PLASMA TV MONITOR.

If you have problems at anytime with the WIR 125, do not hesitate to call us toll-free at 1-800-843-3544.

SYSTEM COMPONENTS

- WIR TX295 Transmitter
- Power Supply
- TV Microphone (MIC 084)
- 1m Audio Cable with dual RCA plugs (WCA 078)
- WIR RX3 Receiver
- 9V Battery
- Earphone

SAFETY INFORMATION

Hearing Safety:



This product is designed to amplify sounds to a high volume level which could potentially cause hearing damage if used improperly.

To protect your hearing and the hearing of others:

1. Make sure the volume is turned down before putting on the ear-phone or headphone before adjusting the volume to a comfortable level.
2. Set the volume level at the minimum setting that you need to hear.
3. If you experience feedback (a squealing or howling sound), reduce the volume setting and move the microphone away from the ear-phone or headphone.
4. Do not allow children **or other unauthorized persons** to have access to this product.

Battery Safety and Disposal:



This product is supplied with disposable Alkaline batteries. Do not attempt to recharge disposable batteries, which may explode, release dangerous chemicals, cause burns, or other serious harm to the user or product.

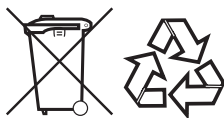
Pacemaker Safety:



CAUTION!

1. Before using this product with a pacemaker or other medical device, consult your physician or the manufacturer of your pacemaker or other medical device.
2. If you have a pacemaker or other medical device, make sure that you are using this product in accordance with safety guidelines established by your physician or the pacemaker manufacturer.

RECYCLING INSTRUCTIONS



Help Williams Sound protect the environment! Please take the time to dispose of your equipment properly.

Product Recycling for Customers in the European Union:

Please do NOT dispose of your Williams Sound equipment in the household trash. Please take the equipment to an electronics recycling center; OR, return the product to the factory for proper disposal.

Battery Recycling for Customers in the European Union:

Please do NOT dispose of used batteries in the household trash. Please take the batteries to a retail or community collection point for recycling.

8/11/05

SETTING UP THE TX295 TRANSMITTER

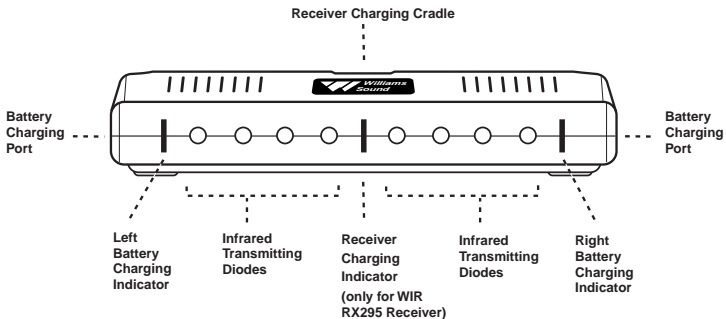
The WIR TX295 Transmitter may be placed on top of a TV or shelf. Place the TX295 Transmitter where it is clearly visible from your listening position.

Infrared light behaves like visible light, so it is blocked by solid objects. This confines the signal to the room where the transmitter is located. The Transmitter cannot be placed inside or behind anything except glass. The maximum operating distance is approximately 30 feet (9 m).

Ideally, the TX295 Transmitter should be at ear-level height or above. The infrared light pattern is much like a floodlight “cone” as it leaves the transmitter, with the best reception inside the cone.

Sunlight can cause infrared interference in the form of a buzz, hiss, or static. Thus, the system cannot be used outdoors and may not work properly inside if a lot of direct sunlight is present. Closing drapes or blinds will help if sunlight is a problem.

Any number of receivers may be used with the TX295 Transmitter, but use only one transmitter in a room at the same time. Otherwise, interference will occur.



STEP 1: CONNECT THE TRANSMITTER POWER SUPPLY

Plug the Power Supply cord into the “DC 12V” jack on the back of the TX295. Then plug the Power Supply into an AC outlet.

STEP 2: SELECT AN OPERATING FREQUENCY FOR THE TX295 TRANSMITTER

To use the TX295 transmitter with the RX3 receiver, you must first setup the transmitter to operate in 95 kHz mode. Referring to the diagram above, slide the Stereo/Mono Selection Switch to the “L” Left position for 95 kHz. The transmitter is now setup to operate with the RX3 receiver.

STEP 3: CONNECT THE TRANSMITTER TO THE AUDIO SOURCE

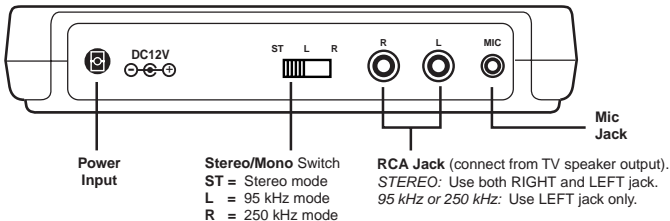
If you are using the TV Microphone, plug it into the “Mic” jack on the TX295 as shown. Use the Velcro strip supplied to attach the microphone near the loudspeaker of your TV. The microphone will allow you to play the TV at lower volume for other listeners and will pick up other important sounds like the telephone or doorbell ringing.

To use the supplied Audio Cable to connect the TX295 Transmitter directly to TV, VCR, or other equipment output jacks:

Connect the LEFT RCA plug from the TV (or VCR) speaker output into the LEFT RCA jack on the TX295 transmitter. Remember, the Stereo/Mono Selection Switch must be in the “L” Left position to transmit in 95 kHz!

When the Audio Inputs are used, the Mic input is automatically disabled.

NOTE: The TX295 has an automatic shut-off feature that turns the Transmitter off 90 seconds after the audio signal is no longer present.



SETTING UP THE WIR RX3 RECEIVER

1. INSTALL THE RECEIVER BATTERIES

Open the Battery Compartment on the RX3 Receiver and install a 9V carbon zinc battery. Be sure to insert the battery “plus” and “minus” terminals correctly as shown on the yellow battery pull tab. **DO NOT** force the battery in backwards. If you are using a rechargeable, NiMH battery, charge the battery for 12–14 hours before using the receiver.

Make sure the Receiver Volume Control Switch (Shown in figure below) is turned OFF while charging.

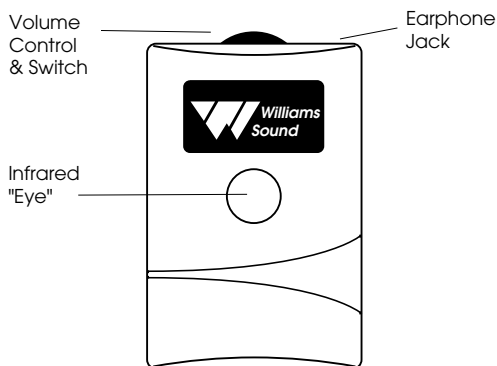
2. PLUG IN THE EARPHONE OR HEADPHONE.

Next, plug the earphone or headphone into the jack on top of the receiver

3. USING THE RECEIVER

Rotate the Receiver Volume Control to turn the receiver on and adjust the volume to a comfortable level. Make sure your TV or audio source is turned on. You should be able to hear the signal from the Transmitter in the Receiver. The infrared receiver “eye” is located on the front of the RX3. Do not cover it up or you will lose reception.

Be sure to turn the Receiver OFF when it is not in use.



IN CASE OF DIFFICULTY

If the system does not seem to be functioning:

1. Read through the manual and user guide carefully to verify proper setup and installation of your system.
2. Make sure that your television is plugged in and turned on.
3. Make sure that the TX295 Transmitter is plugged in and correctly connected to the TV or VCR's audio output.
4. Make sure the TX295 is operating on 95 kHz, *not* stereo or 250 kHz mode. See Step 2 in *Setting up the TX295 Transmitter*.
5. If you're using the TV Mic and not getting a signal: 1) Be sure the audio cable is not plugged into the TX295; 2) Try turning the TV volume up slightly; 3) Try positioning the TV mic directly over the TV speaker.
6. Make sure that the RX3 Receiver has a working battery.
7. Make sure you are not covering the RX3's infrared "eye." Remove any objects obstructing the line between the TX295 Transmitter and the RX3 Receiver.
8. If you've installed the TX295 Transmitter other than on top of the TV, make sure that its front panel is facing the RX3 Receiver.
9. If the system still does not function, call Williams Sound Product Service at 1-800-843-3544.

LIMITED WARRANTY

Williams Sound products are engineered, designed and manufactured under carefully controlled conditions to provide you with many years of reliable service. Williams Sound warrants the SOUNDPLUS™ Infrared System against defects in materials and workmanship for FIVE (5) years. During the first five years from the purchase date, we will promptly repair or replace the SoundPlus™ Infrared System.

Microphones, earphones, headphones, batteries, chargers, cables, carry cases, and all other accessory products carry a 90-day warranty.

WILLIAMS SOUND HAS NO CONTROL OVER THE CONDITIONS UNDER WHICH THIS PRODUCT IS USED. WILLIAMS SOUND, THEREFORE, DISCLAIMS ALL WARRANTIES NOT SET FORTH ABOVE, BOTH EXPRESS AND IMPLIED, WITH RESPECT TO THE SOUNDPLUS™ INFRARED SYSTEM, INCLUDING BUT NOT LIMITED TO, ANY IMPLIED WARRANTY OF MERCHANTABILITY OR FITNESS FOR A PARTICULAR PURPOSE. WILLIAMS SOUND SHALL NOT BE LIABLE TO ANY PERSON OR ENTITY FOR ANY MEDICAL EXPENSES OR ANY DIRECT, INCIDENTAL OR CONSEQUENTIAL DAMAGES CAUSED BY ANY USE, DEFECT, FAILURE OR MALFUNCTION OF THE PRODUCT, WHETHER A CLAIM FOR SUCH DAMAGES IS BASED UPON WARRANTY, CONTRACT, TORT OR OTHERWISE. THE SOLE REMEDY FOR ANY DEFECT, FAILURE OR MALFUNCTION OF THE PRODUCT IS REPLACEMENT OF THE PRODUCT. NO PERSON HAS ANY AUTHORITY TO BIND WILLIAMS SOUND TO ANY REPRESENTATION OR WARRANTY WITH RESPECT TO THE SOUNDPLUS™ INFRARED SYSTEM. UNAUTHORIZED REPAIRS OR MODIFICATIONS WILL VOID THE WARRANTY.

The exclusions and limitations set out above are not intended to, and should not be construed so as to contravene mandatory provisions of applicable law. If any part or term of this Disclaimer of Warranty is held to be illegal, unenforceable or in conflict with applicable law by a court of competent jurisdiction, the validity of the remaining portions of this Disclaimer of Warranty shall not be affected, and all rights and obligations shall be construed and enforced as if this Limited Warranty did not contain the particular part or term held to be invalid.

If you experience difficulty with your system, call Toll-Free for Customer Assistance:

1-800-843-3544

If it is necessary to return the system for service, your Customer Service Representative will give you a Return Authorization Number (RA) and shipping instructions.

Pack the system carefully and send it to:

Williams Sound Corp.
Attn: Repair Dept.
10321 West 70th Street
Eden Prairie, MN 55344

WIR 125 LISTENING SYSTEM SPECIFICATIONS

WIR TX295 Transmitter:

Size, Weight, Color:	6.25"L x 3.25"W x 1.25"H (15.9cm x 8.3cm x 3.2cm), 5.1oz. (140g), Gray
Power Input:	12 VDC (center is positive) on DC connector, 200 mA Class II wall transformer TFP 024 Power Supply: North America: 120VAC, 60Hz, UL/CSA TFP 032 Power Supply, 2 pin Euro mains plug, 230VAC, 50-60 Hz, CE TFP 033 Power Supply, 3 pin UK mains plug, 230VAC, 50-60 Hz, CE
Subcarrier Frequency:	95 kHz or stereo or 250 kHz
Auto Power On/Off:	Transmitter shuts off infrared after 1.5 minutes when audio signal is removed. Battery charging functions remain on full time.
Microphone Input:	3.5 mm jack for MIC 084 Electret TV Microphone, 1.5 k Ω
Line Inputs:	2 RCA jacks for mono or stereo line-level sources. 200 mV min. to 10 V rms max. input level, 5.1 k Ω
Automatic Level Control:	35 dB compression range
Infrared LEDs, Pattern:	8 IR LEDs, 45 degree cone-shaped coverage pattern to 6dB intensity, 30ft. (9m) line of sight
Charging Ports:	Charges one WIR RX295 Receiver (not included)
Warranty:	5 years*

RX3 Receiver:

Size and Weight:	3.62"L x 2.36"W x 0.86"H (9.2 cm x 6 cm x 2.2 cm), 3.2 oz (90 g) with battery
Material and Color:	Polypropylene, Gray
Battery Type:	9 Volt, Carbon Zinc, Alkaline, or BAT 003 NiMH 7-cell rechargeable
Battery Life:	15 hrs with Eveready 216, 35 hrs with Eveready 522, 6 hrs/charge with BAT 003
Charging Jack:	Earphone jack is used for charging
Modulation Frequency:	95 kHz FM, 50 μ S de-emphasis
Frequency Response:	200 Hz to 8 kHz, \pm 4 dB
Signal to Noise Ratio:	60 dB with WIR TX295, 70 dB with WIR TX10
Controls:	Combination volume/On-Off wheel
Audio Output:	3.5 mm mono mini phone jack, 250 mW maximum into 16 Ω
Acoustic Output:	105 dB MAX SSPL90, 102 dB HF AVG SSPL90 with EAR 013, 2 cc coupler
Compatibility:	Compatible with most wide-band 95kHz IR Transmitters
Warranty:	5 years*
On Indicator:	Red LED

*90 days on battery, power supply and cords.



Williams Sound Corp.

10321 West 70th St., Eden Prairie, MN 55344-3459
U.S.A. 800-328-6190 / 952-943-2252 / FAX: 952-943-2174

www.williamssound.com

©2005, Williams Sound Corp. MAN 053H