

# WIR 135 Listening System Instructions

## Model WIR TX95 Transmitter, WIR RX8 Receiver

### OVERVIEW

Thank you for purchasing the WIR 135 Listening System from Williams Sound Corp. Anyone needing auditory assistance to overcome background noise, reverberation, or distance from the sound source can benefit from the WIR 135.

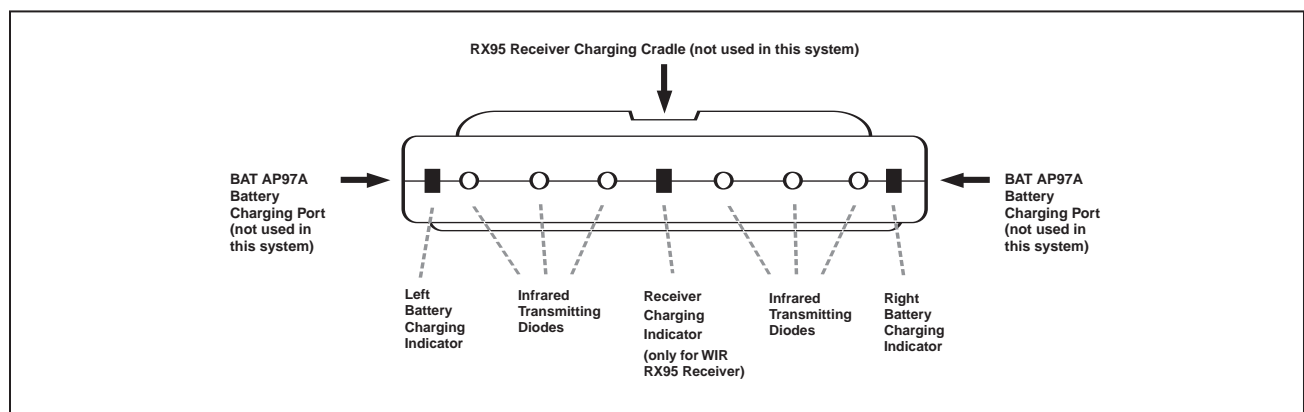
You can use the WIR 135 for listening to the TV or other audio equipment, or for hearing assistance in conference rooms. You can also use your RX8 Receiver in most facilities which have an infrared transmitter operating on 95 kHz, such as theaters, cinemas, or churches.

### SYSTEM COMPONENTS

1. TX95 Transmitter
  - TV Microphone (MIC 084)
  - 1m Audio Cable with dual RCA plugs (WCA 078)
  - Power Supply
2. RX8 Receiver
  - (2) AA Batteries
  - Earphone

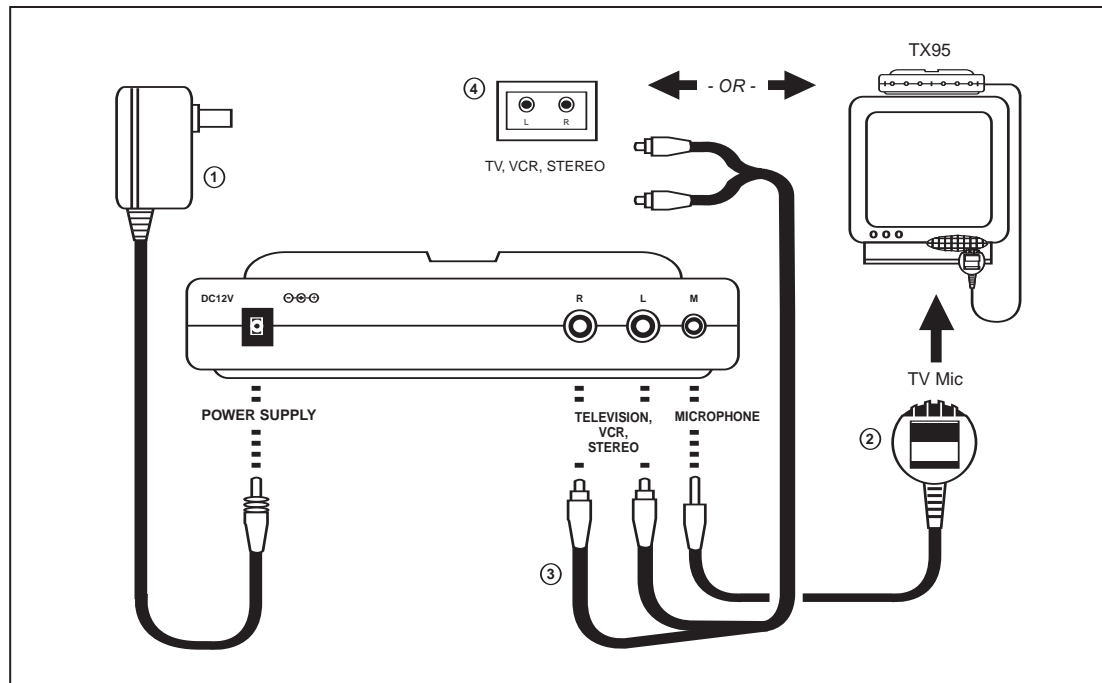
### STEP 1: SET UP THE TX95 TRANSMITTER

The WIR TX95 Transmitter may be placed on top of a TV or shelf. Place the TX95 Transmitter where it is clearly visible from your listening position.



Infrared light behaves like visible light, so it is blocked by solid objects. This confines the signal to the room where the transmitter is located. The transmitter cannot be placed inside or behind anything except glass. The maximum operating distance is approximately 30 feet (9 m).

## SETTING UP THE TX95 TRANSMITTER



Ideally, the TX95 Transmitter should be at ear-level height or above. The infrared light pattern is much like a floodlight “cone” as it leaves the transmitter, with the best reception inside the cone.

Sunlight can cause infrared interference by reducing the operating distance. Thus, the system cannot be used outdoors and may not work properly inside if a lot of direct sunlight is present. Closing drapes or blinds will help if sunlight is a problem.

Any number of receivers may be used with the TX95 Transmitter, but use only one transmitter in a room at the same time. Otherwise, interference between transmitters will occur.

### STEP 2: CONNECT THE TRANSMITTER POWER SUPPLY

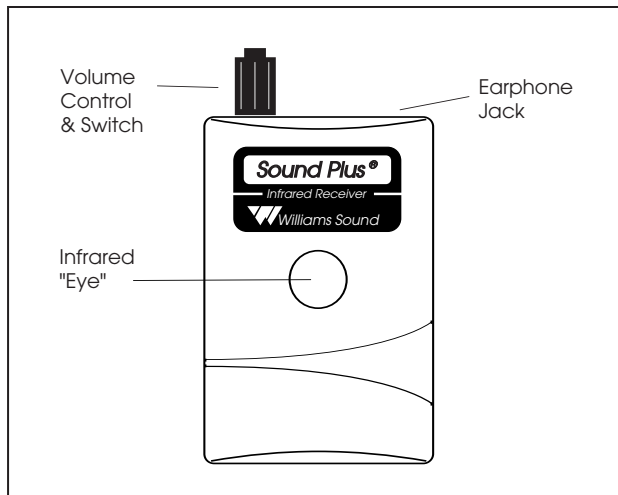
Plug the Power Supply ① cord into the “DC 12V” jack on the back of the TX95. Then plug the Power Supply into an AC outlet.

### STEP 3: CONNECT THE TRANSMITTER TO THE AUDIO SOURCE

You may also use the Audio Cable ③ supplied to connect the TX95 Transmitter directly to TV, VCR, or other equipment output jacks ④. The WIR 135 is a mono system, so the Left and Right inputs are mixed together. The Left or Right input jack may be used with a mono sound source. When the Audio Inputs are used, the Mic input is disabled.

If you are using the TV Microphone ②, plug it into the “Mic” jack on the TX95 as shown. Use the Velcro strip supplied to attach the microphone near the loudspeaker of your TV. The microphone will allow you to play the TV at lower volume for other listeners and will pick up other important sounds like the telephone or doorbell ringing.

The TX95 has an automatic shut-off feature that turns the Transmitter off several minutes after the audio signal is no longer present.



#### 4: INSTALL THE RECEIVER BATTERIES

Open the Battery Compartment on the RX8 Receiver and install the two AA alkaline batteries. Be sure to insert the battery "plus" and "minus" terminals correctly as shown in the bottom of the battery compartment. DO NOT force the batteries in backwards. If you are using rechargeable, Ni-Cad batteries (BAT 026), charge the batteries for 12–14 hours before using the receiver.

**Make sure the Receiver Volume Control Switch (shown above) is turned OFF while charging.**

#### 5: PLUG IN THE EARPHONE OR HEADPHONE.

Next, plug the earphone or headphone into the jack on top of the receiver

#### 6: USING THE RECEIVER

Rotate the Receiver Volume Control knob to turn the receiver on and adjust the volume to a comfortable level. Make sure your TV or audio source is turned on. You should be able to hear the signal from the Transmitter in the Receiver. The infrared receiver "eye" is located on the front of the RX8. Do not cover it up or you will lose reception.

**Be sure to turn the Receiver OFF when it is not in use.**

### IN CASE OF DIFFICULTY

If the system does not seem to be functioning:

1. Make sure that your television is plugged in and turned on.
2. Make sure that the TX95 Transmitter is plugged in and correctly connected to the TV or VCR's audio output.
3. If you're using the TV Mic and not getting a signal: 1) Be sure the audio cable is not plugged into the TX95; 2) Try turning the TV volume up slightly; 3) Try positioning the TV mic directly over the TV speaker.
4. Make sure that the RX8 Receiver has a working battery.
5. Make sure you are not covering the RX8's infrared "eye." Remove any objects obstructing the line between the TX95 Transmitter and the RX8 Receiver.
6. If you've installed the TX95 Transmitter other than on top of the TV, make sure that its front panel is facing the RX8 Receiver.
7. If the system still does not function, call your Williams Sound Dealer.

### WARRANTY

The WIR 135 Listening System carries a five year parts and labor warranty on the TX95 Transmitter and RX8 Receiver. The TV microphone, earphones, headphones, rechargeable batteries, adaptors, and AC to DC Power Adaptor carry a 90 day warranty. Be sure to fill out and mail the Warranty Card to register your serial number and warranty.

# INFRARED LISTENING SYSTEM SPECIFICATIONS

## Infrared Transmitter, Model WIR TX95-01 (EURO), TX95-02 (UK)

Size, Weight, Color:	6.25" L x 3.25" W x 1.25" H (15.9 cm x 8.3 cm x 3.2 cm), 5.1oz. (140g), Gray
Power Input:	12 VDC (center is positive) on DC connector, 200 mA Class II wall transformer TFP 032 Power Supply, 2 pin Euro plug TFP 033 Power Supply, 3 pin UK plug
Subcarrier Frequency:	95 kHz FM, 35 kHz wide-band modulation, 50 $\mu$ S pre-emphasis
Auto Power On/Off:	Transmitter shuts off after several minutes when audio signal is removed
Microphone Input:	3.5 mm jack for MIC 084 Electret TV Microphone, 1.5 k $\Omega$ input impedance
Line Inputs:	2 RCA jacks for mono or stereo line-level sources (bridged to mono) 200 mV min. to 10 V rms max. input level, 5.1 k $\Omega$ input impedance
Automatic Level Control:	35 dB compression range
Infrared LEDs, Pattern:	6 IR LEDs, 45 degree cone-shaped coverage pattern to -6dB intensity, 30ft. (9m) line of sight
Warranty:	5 years*

## WIR RX8 Lavalier Receiver Specifications:

Size and Weight:	3.625" L x 2.375" W x .875" H (9.2 cm x 6 cm x 2.2 cm) 4.48 oz. (127 g)
Material and Color:	Shatter-resistant polypropylene, gray
Battery Type:	1.5V (AA) x 2, Alkaline (BAT 001) or Rechargeable AA Ni-Cad (BAT 026)
Battery Life:	30 hours with BAT 001, 15 hours/charge with BAT 026, 25 mA, nom. current drain
Charging:	Contacts on side for CHG 200 dual charger or CHG 1600 multi-charger
Modulation Frequency:	95 kHz FM, 50 $\mu$ S de-emphasis
Frequency Response:	200 Hz to 8 kHz, $\pm$ 4 dB
Signal to Noise Ratio:	55dB
Controls:	Combination volume/On-Off rotary knob Switched Low-Cut tone control (Lo: 20 Hz / Mid: 120 Hz / Hi: 700 Hz)
Audio Output:	3.5 mm stereo mini phone jack, 250 mW maximum into 16 $\Omega$
Acoustic Output:	130 dB MAX SSPL90 with EAR 013
Compatibility:	Compatible with most wide-band 95kHz IR Transmitters
Warranty:	5 years*

The RX8 Receiver can be used with a Neckloop TeleCoil Coupler (NKL 001) to magnetically couple into a hearing aid that has a telephone pick-up coil.

\*90 day warranty on accessories