

WIR 150 Listening System Instructions

Model WIR TX5 Transmitter, WIR RX1 Receiver

OVERVIEW

Thank you for purchasing the WIR 150 Listening System from Williams Sound Corporation.

Anyone needing auditory assistance to overcome background noise, reverberation, or distance from the sound source can benefit from the WIR 150.

You can use the WIR 150 for listening to the TV or other audio equipment, or for hearing assistance in conference rooms. You can also use your RX1 Receiver in most facilities which have an infrared transmitter operating on 95 kHz, such as theaters, cinemas, or churches.

If at anytime you have problems with the system, do not hesitate to call us toll-free at 1-800-843-3544.

SYSTEM COMPONENTS

The WIR 150 Listening System includes the following elements.

1. TX5 Transmitter
 - AC to DC Adaptor (TFP 021)
 - TV Microphone (MIC 070)
 - RCA Plug Adaptor (CNA 008)
 - Audio Cable With Two 3.5 mm Plugs (WCA 073)
2. RX1 Receiver
 - AAA Batteries

1. SET UP THE TRANSMITTER

The WIR TX5 Transmitter has an adjustable base that allows it to be mounted on a wall or cabinet, or placed on top of a TV or shelf. If you will be mounting it on a wall, use the keyed mounting holes on the bottom of the transmitter. The two horizontal mounting holes are 2-1/4" (5.8cm) apart and the two vertical holes are 3" (7.5cm) apart.

FIGURE 1: TX5 TRANSMITTER (REAR VIEW)

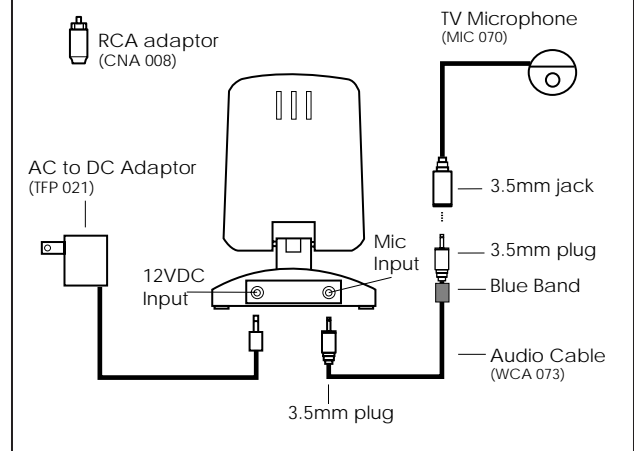


FIGURE 2: TX5 TRANSMITTER (FRONT VIEW)

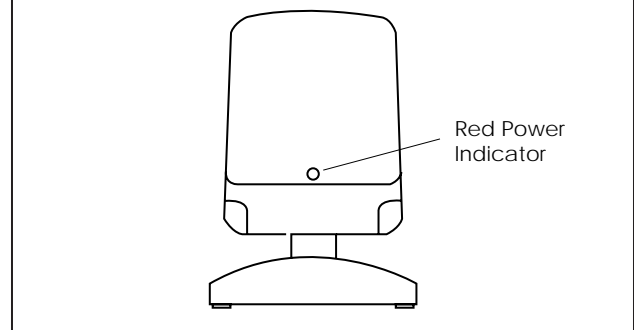


FIGURE 3: WIR RX1 RECEIVER

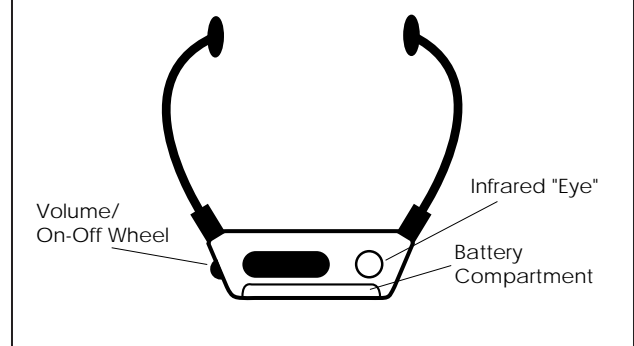
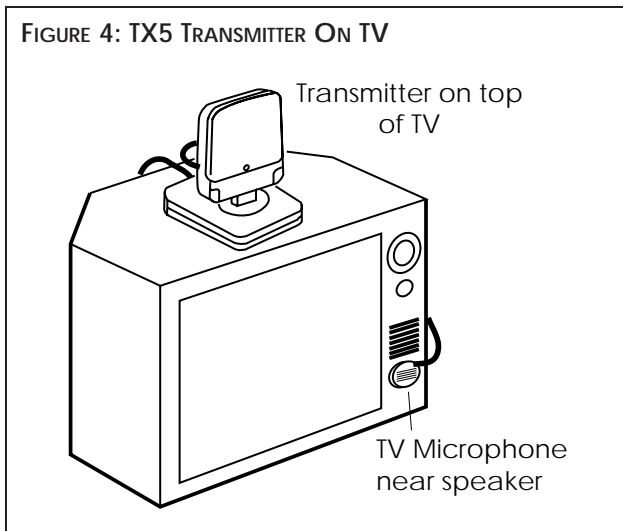


FIGURE 4: TX5 TRANSMITTER ON TV



Place the Transmitter where it is clearly visible from your listening position. An example is shown in Figure 4. Infrared light behaves like visible light, so it is blocked by solid objects. This confines the signal to the room where the transmitter is located. The Transmitter cannot be placed inside or behind anything except glass. The maximum operating distance is approximately 30 feet (9m).

Ideally, the TX5 Transmitter should be at ear-level height or above. The infrared light pattern is cone-shaped as it leaves the Transmitter, as shown in Figure 5. The best reception is inside the cone. Sunlight can cause infrared interference in the form of a buzz, hiss, or static. Thus, the system cannot be used outdoors and may not work properly inside if a lot of direct sunlight is present. Closing drapes or blinds will help if sunlight is a problem.

Any number of Receivers may be used with the TX5 Transmitter, but use only one Transmitter in a room at the same time. Otherwise, interference will occur.

2. CONNECT THE TRANSMITTER POWER SUPPLY

Plug the AC to DC Adaptor cord into the “DC 12V” jack on the base of the TX5 Transmitter.

Then plug the Adaptor into an outlet. The red power indicator will light.

3. CONNECT THE TRANSMITTER TO THE AUDIO SOURCE

Plug the blue-banded end of the Audio Cable into the TV Microphone as shown in Figure 1. The microphone has a velcro clip that can be attached near the loudspeaker of your TV.

The Audio Cable’s blue end can also be connected directly into an audio output from a VCR or TV with the RCA Plug Adaptor supplied.

The TX5 Transmitter features an Automatic Level Control to adjust for different audio signal levels and to maintain a comfortable listening level.

Note: When using the RCA Plug Adaptor, make sure to connect the adaptor to the Audio Cable’s blue-banded plug. This will ensure a good electrical contact. See Figure 1.

4. INSTALL THE RECEIVER BATTERIES

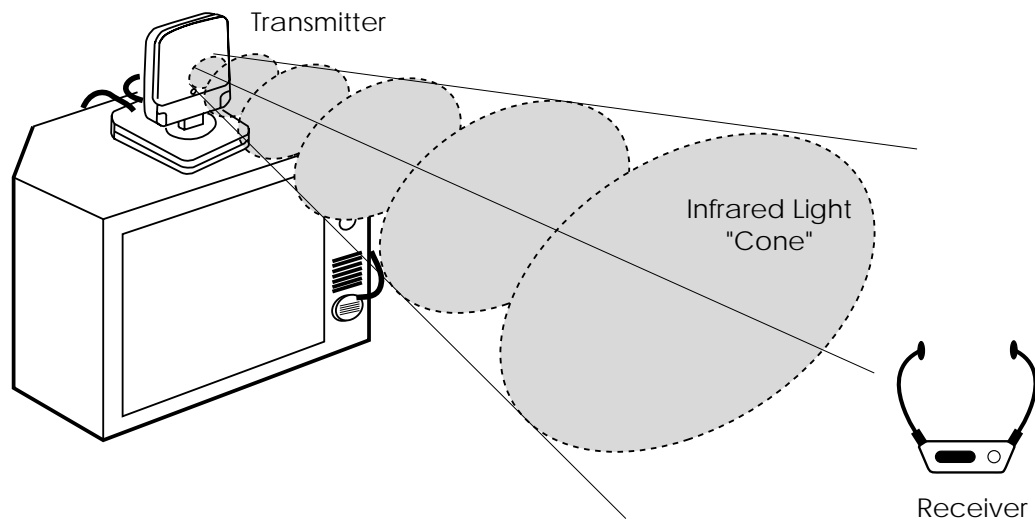
Open the Battery Compartment on the RX1 and install two (2) AAA alkaline batteries. Be sure to insert the batteries’ “+” and “-” terminals correctly. DO NOT force the batteries in backwards. If you use rechargeable batteries, DO NOT attempt to charge them within the receiver.

5. USING THE RECEIVER

Inside the Battery Compartment is a Hi-Lo Volume Switch. Set this switch to Hi. Rotate the Receiver Volume Control to turn the receiver on and adjust the volume to a comfortable level. Make sure your TV or audio source is turned on. You should be able to hear the signal from the Transmitter in the Receiver. The infrared receiver “eye” is located on the front of the RX1. Do not cover it up or you will lose reception.

Be sure to turn the Receiver OFF when it is not in use.

Figure 5: Infrared Light Pattern



IN CASE OF DIFFICULTY

If the system does not seem to be functioning:

1. Make sure that your television is plugged in and turned on.
2. Make sure that the TX5 Transmitter is plugged in and correctly connected to the TV or VCR's audio output.
3. If you're using the TV Mic and not getting a signal, try turning the TV volume up slightly. Also, try positioning the TV Mic directly over the TV speaker.
4. Make sure that the RX1 Receiver has working batteries.
5. Make sure you are not covering the RX1's infrared "eye". Remove any objects obstructing the line between the TX5 Transmitter and the RX1 Receiver.
6. If you've installed the TX5 Transmitter other than on top of the TV, make sure that its front panel is facing the RX1 Receiver.

7. If the system still does not function, call Williams Sound Corporation at 1-800-843-3544.

WARRANTY

The WIR 150 Listening System carries a five year parts and labor warranty on the TX5 Transmitter and RX1 Receiver. The TV microphone, adaptors, and AC to DC Power Adaptor carry a 90 day warranty. Be sure to fill out and mail the Warranty Card to register your serial number and warranty.



WIR 150 LISTENING SYSTEM SPECIFICATIONS

TX5 TRANSMITTER:

Size and Weight:	8.5 cm W x 12.5 cm H x 10.5 cm D (3.4" x 4.2" x 4.1"), 177 g (6.2 oz.)
Power Input:	12 VDC from 115 VAC, 60 Hz, 200 mA Class II wall transformer (UL-Listed) center is positive on DC connector
Subcarrier Frequency:	95 kHz FM
Auto On/Off Indicator:	Illuminates when 12 VDC power and an audio signal are applied, Transmitter shuts off when audio signal is removed
Microphone Input:	3.5 mm plug on Audio Cable connects to MIC 070 TV Microphone
Direct Audio Input:	3.5 mm plug on Audio Cable, 5 k Ω impedance, RCA Plug Adaptor included
Automatic Level Control:	30 dB compression range: 25 mV to 750 Vrms max. at 1 kHz
Frequency Response:	100 Hz to 10 kHz, \pm 3 dB
Distortion:	1% Max. THD

RX1 RECEIVER:

Controls:	Combination Volume Control/On-Off Switch
Battery Type:	2 - AAA Alkaline
Battery Life:	150 hours
Carrier Frequency:	Frequency Modulated, 95 kHz, 50 μ S de-emphasis
Signal to Noise Ratio:	45 dB with WIR TX5
Acoustic Output:	118 dB MAX SSPL90, 112 dB HF AVG SSPL90 with 2 cc coupler