

# WIR 175 Listening System Instructions

## Model WIR TX295 Transmitter, WIR RX4 Receiver

### OVERVIEW

Thank you for purchasing the WIR 175 Listening System from Williams Sound Corp. Anyone needing auditory assistance to overcome background noise, reverberation, or distance from the sound source can benefit from the WIR 175.

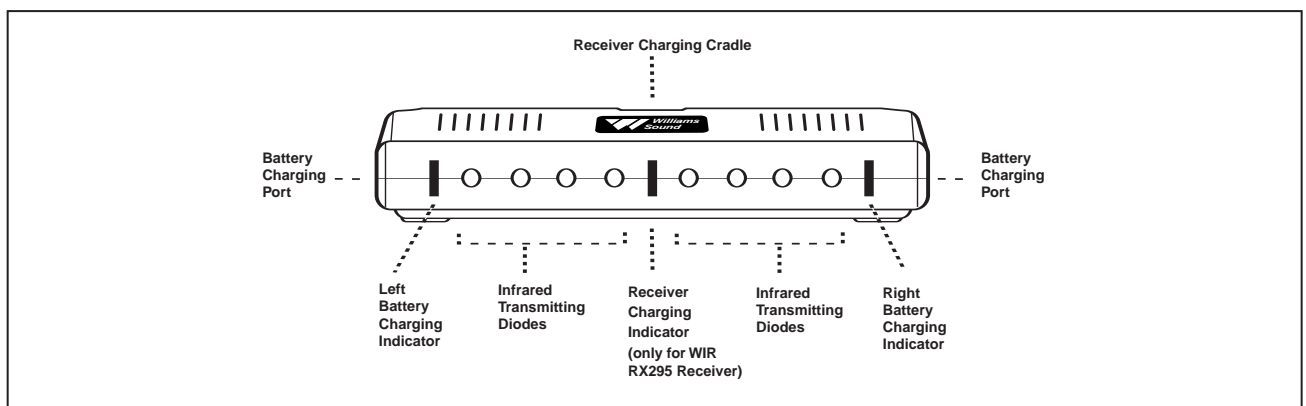
You can use the WIR 175 for listening to the TV or other audio equipment, or for hearing assistance in conference rooms. You can also use your RX4 Receiver in most facilities which have an infrared transmitter operating on 95 kHz, such as theaters, cinemas, or churches.

**If at anytime you have problems with the system, do not hesitate to call us toll-free at 1-800-843-3544.**

### SYSTEM COMPONENTS

1. TX295 Transmitter
  - TV Microphone (MIC 084)
  - 1m Audio Cable with dual RCA plugs (WCA 078)
  - Power Supply
2. RX4 Receiver
  - AAA Batteries (BAT 010)

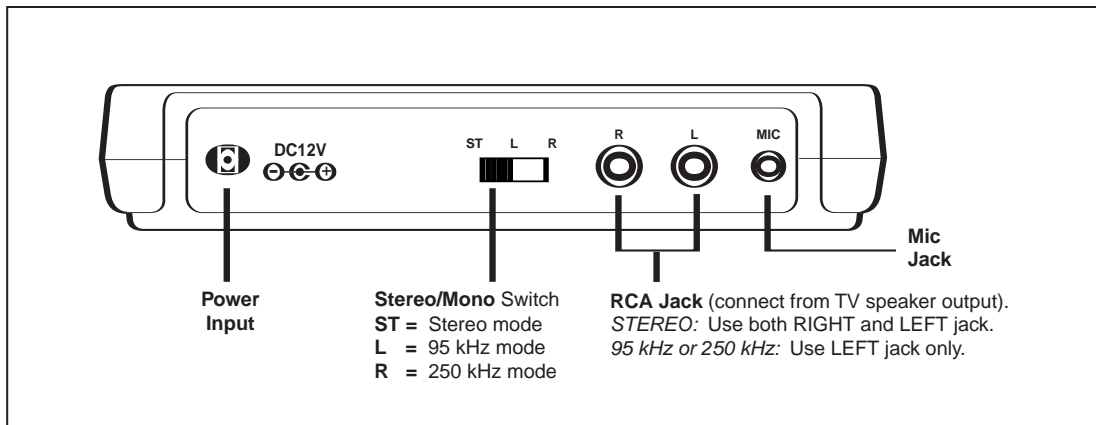
### STEP 1: SET UP THE TX295 TRANSMITTER



The WIR TX295 Transmitter may be placed on top of a TV or shelf. Place the TX295 Transmitter where it is clearly visible from your listening position.

Infrared light behaves like visible light, so it is blocked by solid objects. This confines the signal to the room where the transmitter is located. The transmitter cannot be placed inside or behind anything except glass. The maximum operating distance is approximately 30 feet (9 m).

## SETTING UP THE TX295 TRANSMITTER



Ideally, the TX295 Transmitter should be at ear-level height or above. The infrared light pattern is much like a floodlight “cone” as it leaves the transmitter, with the best reception inside the cone.

Sunlight can cause infrared interference in the form of a buzz, hiss, or static. Thus, the system cannot be used outdoors and may not work properly inside if a lot of direct sunlight is present. Closing drapes or blinds will help if sunlight is a problem.

Any number of receivers may be used with the TX295 Transmitter, but use only one transmitter in a room at the same time. Otherwise, interference will occur.

### STEP 2: CONNECT THE TRANSMITTER POWER SUPPLY

Plug the Power Supply cord into the “DC 12V” jack on the back of the TX295. Then plug the Power Supply into an AC outlet.

### STEP 3: SELECT AN OPERATING FREQUENCY FOR THE TX295 TRANSMITTER

To use the TX295 transmitter with the RX4 receiver, you must first setup the transmitter to operate in 95 kHz mode. Referring to the diagram above, slide the Stereo/Mono Selection Switch to the “L” Left position for 95 kHz. The transmitter is now setup to operate with the RX4 receiver.

### STEP 4: CONNECT THE TRANSMITTER TO THE AUDIO SOURCE

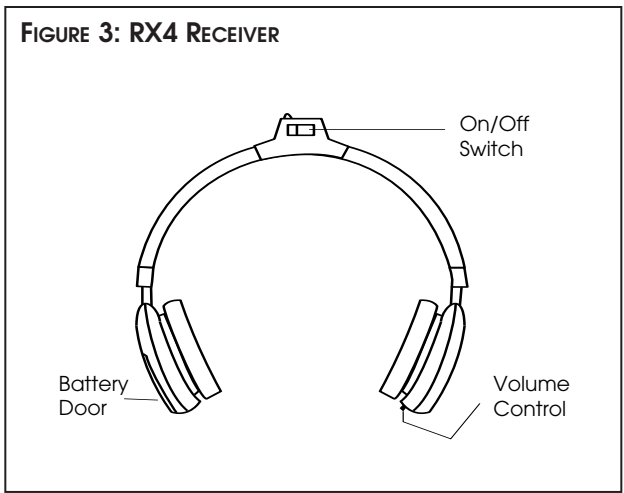
If you are using the TV Microphone, plug it into the “Mic” jack on the TX295 as shown. Use the Velcro strip supplied to attach the microphone near the loudspeaker of your TV. The microphone will allow you to play the TV at lower volume for other listeners and will pick up other important sounds like the telephone or doorbell ringing.

*To use the supplied Audio Cable to connect the TX295 Transmitter directly to TV, VCR, or other equipment output jacks:*

Connect the LEFT RCA plug from the TV (or VCR) speaker output into the LEFT RCA jack on the TX295 transmitter. Remember, the Stereo/Mono Selection Switch must be in the “L” Left position to transmit in 95 kHz!

When the Audio Inputs are used, the Mic input is automatically disabled.

NOTE: The TX295 has an automatic shut-off feature that turns the Transmitter off 90 seconds after the audio signal is no longer present.



**STEP 5: INSTALL THE RECEIVER BATTERIES**

Load two AAA batteries into the RX4 Receiver. Be careful not to bend the plastic tabs when you replace the battery door.

Be sure to insert the battery “plus” and “minus” terminals correctly. **DO NOT** force them in backwards.

**STEP 6: USING THE RECEIVER**

Make sure your TV or Audio Source is turned ON. Turn the receiver’s Power Switch to ON. Place the headset on your head and locate the Volume Control Wheel. (See Figure 3.)

The headband size can be adjusted by pulling or pushing on each earpiece. Adjust the headset volume to a comfortable level.

**The infrared receiver “eye” is located on top of the headset. Do not cover it up or you will lose reception.**

**Be sure to turn the Receiver OFF when it is not in use.**

**IN CASE OF DIFFICULTY**

If the system does not seem to be functioning:

1. Make sure that your television is plugged in and turned on.
2. Make sure that the TX295 Transmitter is plugged in and correctly connected to the TV or VCR’s audio output.
3. Make sure the TX295 is operating on 95 kHz, *not* stereo or 250 kHz mode. See Step 3.
4. If you’re using the TV Mic and not getting a signal: 1) Be sure the audio cable is not plugged into the TX295; 2) Try turning the TV volume up slightly; 3) Try positioning the TV mic directly over the TV speaker.
5. Make sure that the RX4 Receiver has working batteries.
6. Make sure you are not covering the RX4’s infrared “eye.” Remove any objects obstructing the line between the TX295 Transmitter and the RX4 Receiver.
7. If you’ve installed the TX295 Transmitter other than on top of the TV, make sure that its front panel is facing the RX4 Receiver.
8. If the system still does not function, call Williams Sound Product Service at 1-800-843-3544.

**WARRANTY**

The WIR 175 Listening System carries a five year parts and labor warranty on the TX295 Transmitter and RX4 Receiver. The TV microphone, earphones, headphones, rechargeable batteries, adaptors, and AC to DC Power Adaptor carry a 90 day warranty. Be sure to fill out and mail the Warranty Card to register your serial number and warranty.

## WIR 175 LISTENING SYSTEM SPECIFICATIONS

### WIR TX295 Transmitter:

---

Size, Weight, Color:	6.25"L x 3.25"W x 1.25"H (15.9cm x 8.3cm x 3.2cm), 5.1oz. (140g), Gray
Power Input:	12 VDC (center is positive) on DC connector, 200 mA Class II wall transformer TFP 024 Power Supply: North America: 120VAC, 60Hz, UL/CSA TFP 032 Power Supply, 2 pin Euro mains plug, 230VAC, 50-60 Hz, CE TFP 033 Power Supply, 3 pin UK mains plug, 230VAC, 50-60 Hz, CE
Subcarrier Frequency:	95 kHz or stereo or 250 kHz
Auto Power On/Off:	Transmitter shuts off infrared after 1.5 minutes when audio signal is removed. Battery charging functions remain on full time.
Microphone Input:	3.5 mm jack for MIC 084 Electret TV Microphone, 1.5 k $\Omega$
Line Inputs:	2 RCA jacks for mono or stereo line-level sources. 200 mV min. to 10 V rms max. input level, 5.1 k $\Omega$
Automatic Level Control:	35 dB compression range
Infrared LEDs, Pattern:	8 IR LEDs, 45 degree cone-shaped coverage pattern to 6dB intensity, 30ft. (9m) line of sight
Charging Ports:	Charges one WIR RX295 Receiver (not included)
Warranty:	5 years*

### RX4 Receiver:

---

Weight:	5.4 oz (154 g) with batteries
Earpad Size:	6.5 cm (2.5") Diameter, adjustable headband, uses HED 023 foam cushions
Material and Color:	ABS plastic, Textured Gray
Battery Type, Life:	2 - AAA Alkaline, 50 hours
Modulation Frequency:	95 kHz FM, 50 $\mu$ S de-emphasis
Frequency Response:	200 Hz to 8 kHz, $\pm$ 5 dB
Signal to Noise Ratio:	60 dB at 4 m
Controls:	On/Off slide switch, volume control wheel
Acoustic Output:	105 dB MAX SSPL90, 100 dB HF AVG SSPL90 with 2 cc coupler
Compatibility:	Compatible with most wide-band 95kHz IR Transmitters
Warranty:	5 years*
On Indicator:	Red LED

\*90 days on battery, power supply and cords.